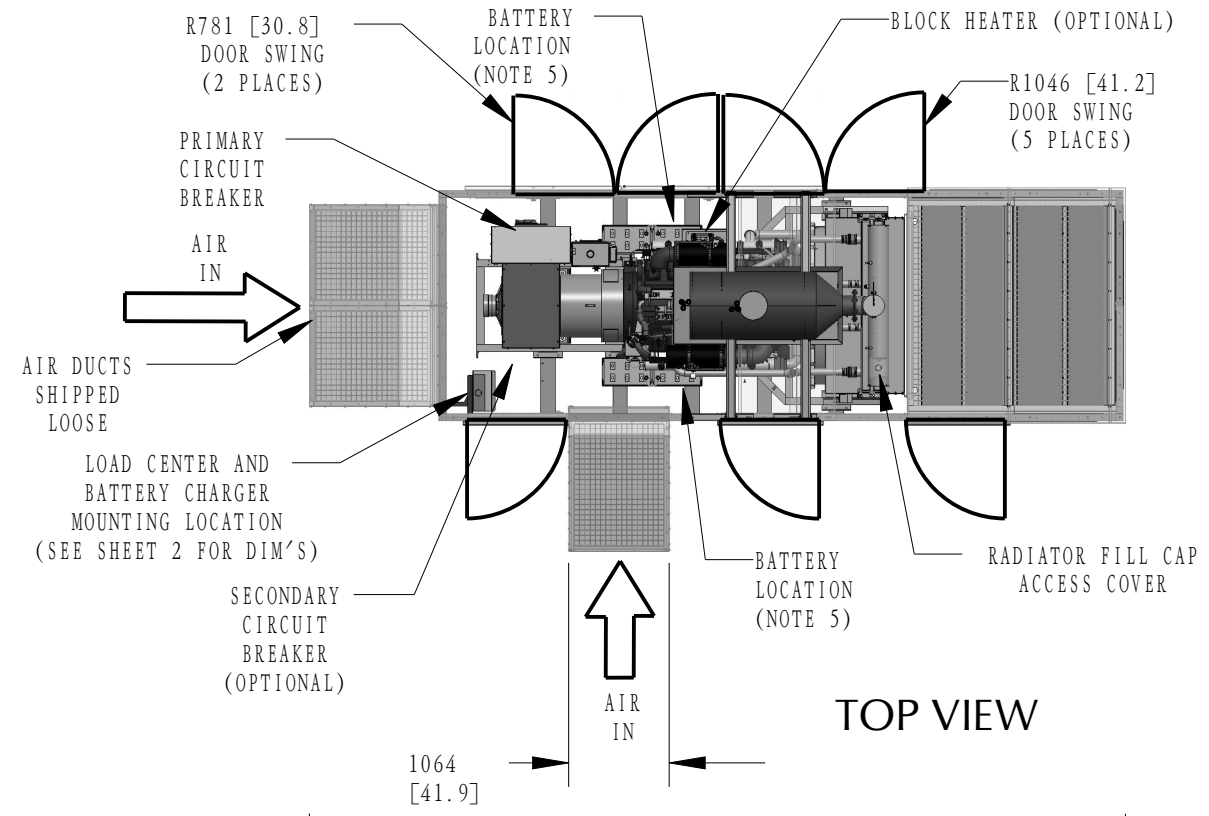
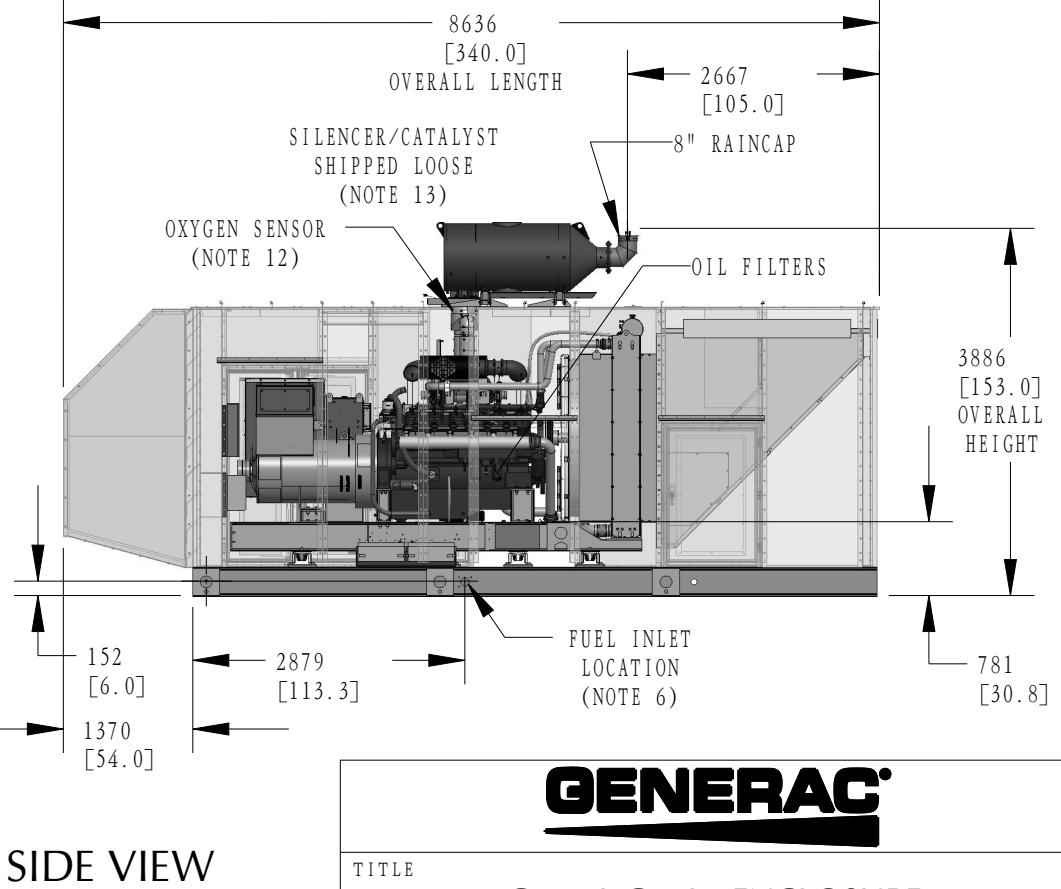
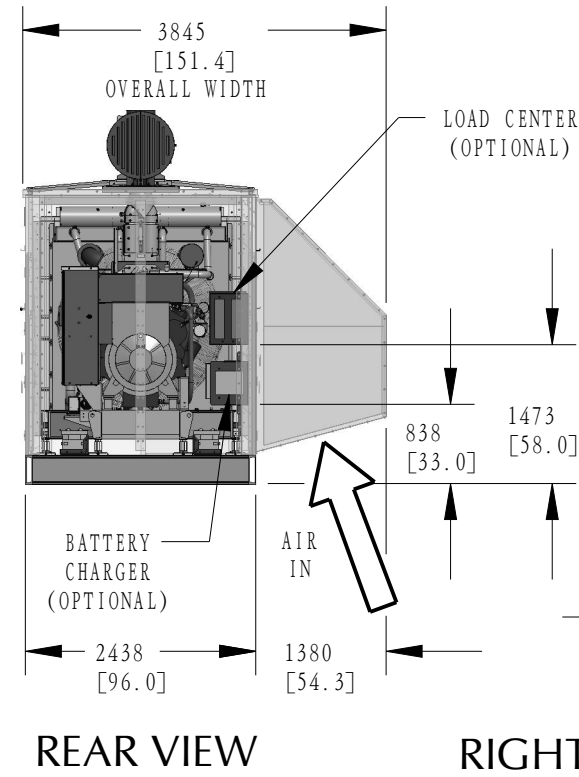
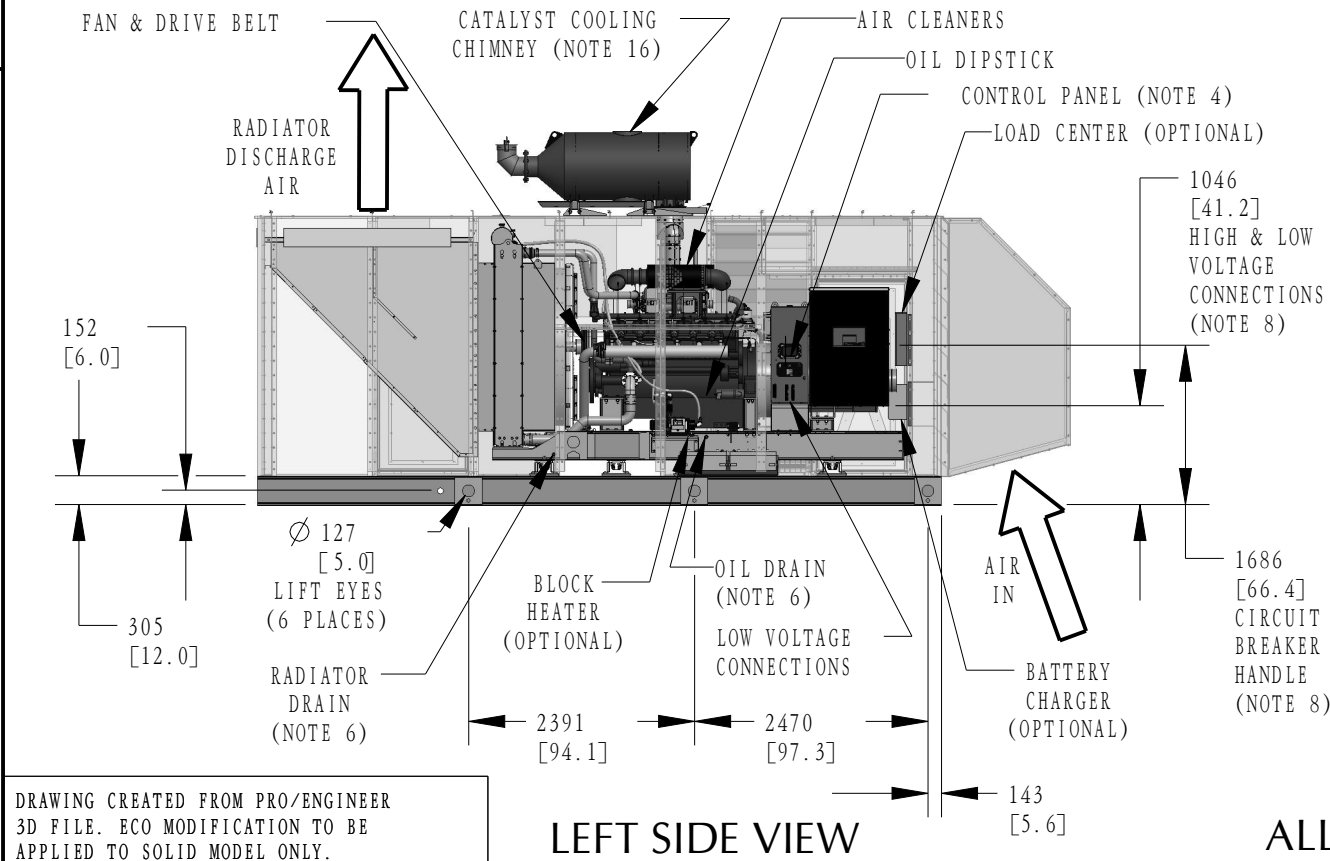


NOTES:

1. ALLOW SUFFICIENT ROOM ON ALL SIDES OF THE GENERATOR FOR MAINTENANCE & SERVICING. THIS UNIT MUST BE INSTALLED IN ACCORDANCE WITH CURRENT APPLICABLE NFPA 37 AND NFPA 70 STANDARDS AS WELL AS ANY OTHER FEDERAL, STATE, & LOCAL CODES. CONNECT THE OPEN SET EXHAUST PER NFPA 37.
  2. MUST ALLOW FREE FLOW OF INTAKE AIR, DISCHARGE AIR & EXHAUST GASES. SEE SPEC SHEET FOR MINIMUM AIR FLOW & MAXIMUM RESTRICTION REQUIREMENTS. (REF. 10000022699 SG625, 10000022751 MG625, 10000024335 SG750, 10000024341 MG750)
  3. GENERATOR SET MUST BE INSTALLED SUCH THAT FRESH COOLING AIR IS AVAILABLE & DISCHARGE AIR FROM THE RADIATOR IS NOT RECIRCULATED.
  4. CONTROL PANEL.
  5. BATTERIES (4 BANK - 24 VOLT NEGATIVE GROUND SYSTEM).
  6. ENGINE SERVICE CONNECTIONS:
    - NATURAL GAS INLET = 2-1/2" FLEX HOSE CONNECTION (NOT SHOWN)
    - OIL DRAIN = 3/4" NPT FEMALE COUPLING
    - RADIATOR DRAIN = 3/4" NPT FEMALE COUPLING
    - FLEX PIPE OUTLET = DUAL 4" I.D. V-BAND CONNECTION
    - EXHAUST COLLECTOR OUTLET = SINGLE 6" I.D. ANSI FLANGE
    - CATALYST SILENCER OUTLET = 8" I.D. ANSI FLANGE
  7. 120V, 20A GFCI & 250V, 15A OUTLET (OPTIONAL).
  8. MAIN LINE CIRCUIT BREAKER (MLCB), AC LOAD LEADS. (DIMENSIONS MAY VARY DUE TO UNIT CONFIGURATION)
  9. CONNECTION POINTS FOR CONTROL WIRES PROVIDED IN THE LOW VOLTAGE CONNECTION BOX (SEE SHEET 2, LOW VOLTAGE STUB-UP AREA)
  10. AUXILIARY AC CONNECTION FOR UNIT OPTIONS ARE LOCATED IN HIGH VOLTAGE CONNECTION BOX, UNLESS AN OPTIONAL LOAD CENTER IS INSTALLED.
  11. EXHAUST BLANKETS SHOULD NOT COVER OXYGEN SENSOR.
  12. OXYGEN SENSOR MUST BE MOUNTED BETWEEN ENGINE OUTLET AND SILENCER INLET AS SHOWN.
  13. CATALYZED SILENCER (FOR EPA UNITS) MUST BE MOUNTED IN DESCRIBED POSITION.
- FAILING TO FOLLOW THESE INSTRUCTIONS WHEN INSTALLING A CERTIFIED ENGINE IN A PIECE OF STATIONARY EQUIPMENT VIOLATES FEDERAL LAW 40 CFR 1068. 105(B), SUBJECT TO FINES OR PENALTIES AS DESCRIBED IN THE CLEAN AIR ACT.
14. BOTTOM OF GENERATOR SET MUST BE ENCLOSED TO PREVENT PEST INTRUSION & RECIRCULATION OF DISCHARGE AIR.
  15. BOLTS OR STUDS USED TO MOUNT UNIT TO PAD SHALL BE 5/8"-11 GRADE 5. USE STANDARD SAE TORQUE SPECS.
  16. CATALYST COOLING CHIMNEY MUST BE UNOBSTRUCTED. MINIMUM 1FT CLEARANCE FROM TOP OF CHIMNEY TO ANY ITEM.



DRAWING CREATED FROM PRO/ENGINEER 3D FILE. ECO MODIFICATION TO BE APPLIED TO SOLID MODEL ONLY.

ALL DIMENSIONS ARE IN MILLIMETERS (INCHES)

# INSTALLATION DRAWING

GENERAC POWER SYSTEMS OWNS THE COPYRIGHT OF THIS DRAWING WHICH IS SUPPLIED IN CONFIDENCE AND MUST NOT BE USED FOR ANY PURPOSE OTHER THAN FOR WHICH IT IS SUPPLIED WITHOUT THE EXPRESS WRITTEN CONSENT OF GENERAC POWER SYSTEMS. ©GENERAC POWER SYSTEMS 2015

ELECTRONICALLY APPROVED INSIDE WINDCHILL

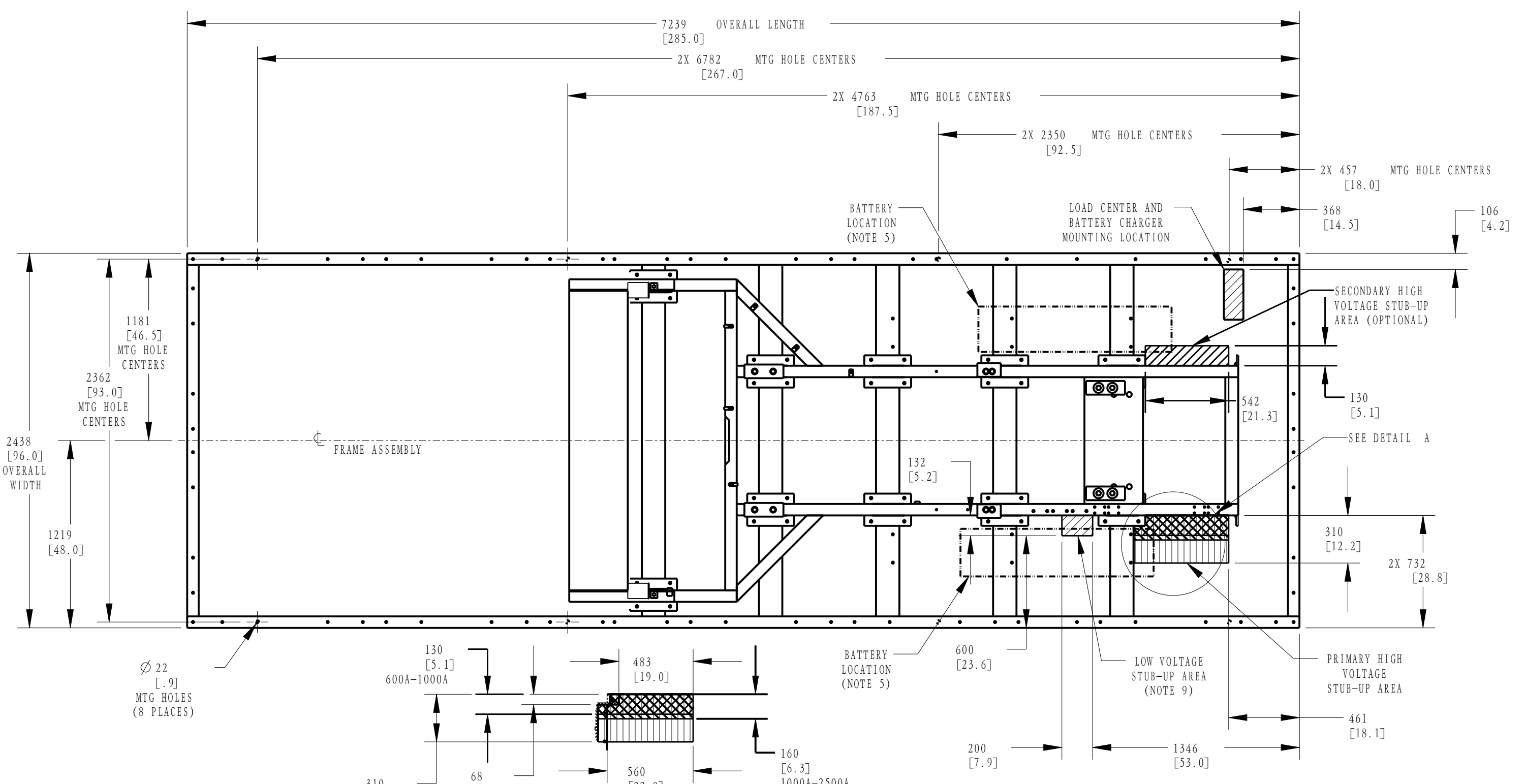
<b>GENERAC</b>				
TITLE G33.9L G2. L2 ENCLOSURE 60Hz 3PH - SG625 MG625, SG750 MG750 50Hz 3PH - SG500 MG500, SG600 MG600				
ISSUE DATE:		10/12/17		
SIZE	CAGE NO	DWG NO	REV	
B	N/A	10000022892	D	
SCALE	WT-KG	N/A	SHEET	1 of 5
0.013				

B

B

A

A



310 [12.2] 1000A-1200A MOTORIZED  
 68 [2.7]  
 560 [22.0]  
 160 [6.3] 1000A-2500A  
 483 [19.0]  
 130 [5.1] 600A-1000A

DETAIL A  
 PRIMARY HIGH VOLTAGE  
 SHOWING 3 DIFFERENT  
 STUB-UP AREAS  
 SCALE 0.040

ALL DIMENSIONS ARE IN MILLIMETERS (INCHES)

DRAWING CREATED FROM PRO/ENGINEER 3D FILE. ECO MODIFICATION TO BE APPLIED TO SOLID MODEL ONLY.



TITLE  
 G33.9L G2, L2 ENCLOSURE, STUB-UP  
 60 Hz 3PH - SG625 MG625, SG750 MG750  
 50 Hz 3PH - SG500 MG500, SG600 MG600

ISSUE DATE:		10/12/17	
SIZE	CAGE NO	DWG NO	REV
B	N/A	10000022892	D
SCALE	WT-KG	SHEET	2 of 5
0.040	N/A		

GENERAC POWER SYSTEMS OWNS THE COPYRIGHT OF THIS DRAWING WHICH IS SUPPLIED IN CONFIDENCE AND MUST NOT BE USED FOR ANY PURPOSE OTHER THAN FOR WHICH IT IS SUPPLIED WITHOUT THE EXPRESS WRITTEN CONSENT OF GENERAC POWER SYSTEMS.  
 ©GENERAC POWER SYSTEMS 2015

ELECTRONICALLY APPROVED  
 INSIDE WINDCHILL

# INSTALLATION DRAWING

4

3

SH

3/5

REV

D

WINDCHILL VERSION

D.4

1

**L2A ENCLOSURE FOR CATALYST AND INTERNATIONAL SILENCER, STEEL**

NOTE:

1) CENTER OF GRAVITY AND WEIGHT MAY CHANGE DUE TO UNIT OPTIONS. REFERENCE OWNERS MANUAL FOR LIFTING WARNINGS.  
 2) ALL DIMENSIONS ORIGINATE FROM THE REAR, LEFT HAND CORNER OF THE BASE FRAME.  
 3) OVERALL WEIGHT OF UNIT WITH INTERNATIONAL SILENCER WILL BE REDUCED BY 57 KG (125 LBS).

MODEL	ALTERNATOR	VOLTAGE	WEIGHT		COG, DIM "X"		COG, DIM "Y"		COG, DIM "Z"	
			kg	lbs	MM	Inches	MM	Inches	MM	Inches
SG/MG 625	STD	208/240	10449	23036.1	2633	103.7	1364	53.7	1112	43.8
SG/MG 625	UP SIZE 1	208/240	10602	23373.4	2606	102.6	1363	53.7	1112	43.8
SG/MG 625	UP SIZE 2	208/240	10651	23481.4	2598	102.3	1363	53.7	1113	43.8
SG/MG 625/500	STD	480/600/400 50Hz	10388	22901.6	2643	104.1	1364	53.7	1111	43.7
SG/MG 625/500	UP SIZE 1	480/600/400 50Hz	10449	23036.1	2633	103.7	1364	53.7	1112	43.8
SG/MG 625/500	UP SIZE 2	480/600/400 50Hz	10602	23373.4	2606	102.6	1363	53.7	1112	43.8
SG/MG 750	STD	208/240	10651	23481.4	2598	102.3	1363	53.7	1113	43.8
SG/MG 750	UP SIZE 1	208/240	11304	24921	2524	99.4	1360	53.5	1116	43.9
SG/MG 750	UP SIZE 2	208/240	11574	25516.3	2481	97.7	1359	53.5	1117	44
SG/MG 750/600	STD	480/600/400 50Hz	10651	23481.4	2598	102.3	1363	53.7	1113	43.8
SG/MG 750/600	UP SIZE 1	480/600/400 50Hz	10651	23481.4	2598	102.3	1363	53.7	1113	43.8
SG/MG 750/600	UP SIZE 2	480/600/400 50Hz	11304	24921	2524	99.4	1360	53.5	1116	43.9

B

732 [28.8]

REAR LEFT HAND CORNER OF THE ENCLOSURE FRAME

DIM "Z" COG

TOP VIEW

DIM "Y" COG

RIGHT SIDE VIEW

398 [15.7]

DIM "X" COG

B

**L2A ENCLOSURE FOR CATALYST AND INTERNATIONAL SILENCER, ALUMINUM**

MODEL	ALTERNATOR	VOLTAGE	WEIGHT		COG, DIM "X"		COG, DIM "Y"		COG, DIM "Z"	
			kg	lbs	MM	Inches	MM	Inches	MM	Inches
SG/MG 625	STD	208/240	8967	19768.8	2551	100.4	1344	52.9	1103	43.4
SG/MG 625	UP SIZE 1	208/240	9120	20106.1	2521	99.3	1344	52.9	1104	43.5
SG/MG 625	UP SIZE 2	208/240	9169	20214.2	2512	98.9	1344	52.9	1105	43.5
SG/MG 625/500	STD	480/600/400 50Hz	8906	19634.3	2561	100.8	1344	52.9	1103	43.4
SG/MG 625/500	UP SIZE 1	480/600/400 50Hz	8967	19768.8	2551	100.4	1344	52.9	1103	43.4
SG/MG 625/500	UP SIZE 2	480/600/400 50Hz	9120	20106.1	2521	99.3	1344	52.9	1104	43.5
SG/MG 750	STD	208/240	9169	20214.2	2512	98.9	1344	52.9	1105	43.5
SG/MG 750	UP SIZE 1	208/240	9822	21653.8	2432	95.7	1342	52.8	1109	43.7
SG/MG 750	UP SIZE 2	208/240	10092	22249	2385	93.9	1341	52.8	1110	43.7
SG/MG 750/600	STD	480/600/400 50Hz	9169	20214.2	2512	98.9	1344	52.9	1105	43.5
SG/MG 750/600	UP SIZE 1	480/600/400 50Hz	9169	20214.2	2512	98.9	1344	52.9	1105	43.5
SG/MG 750/600	UP SIZE 2	480/600/400 50Hz	9822	21653.8	2432	95.7	1342	52.8	1109	43.7

A

A

DRAWING CREATED FROM PRO/ENGINEER 3D FILE. ECO MODIFICATION TO BE APPLIED TO SOLID MODEL ONLY.

ALL DIMENSIONS ARE IN MILLIMETERS (INCHES)

GENERAC POWER SYSTEMS OWNS THE COPYRIGHT OF THIS DRAWING WHICH IS SUPPLIED IN CONFIDENCE AND MUST NOT BE USED FOR ANY PURPOSE OTHER THAN FOR WHICH IT IS SUPPLIED WITHOUT THE EXPRESS WRITTEN CONSENT OF GENERAC POWER SYSTEMS.  
 ©GENERAC POWER SYSTEMS 2013

ELECTRONICALLY APPROVED  
INSIDE WINDCHILL**GENERAC**

TITLE  
 WEIGHT & CENTER OF GRAVITY, G33.9L G2, L2 ENCL  
 60 Hz 3PH - SG625 MG625, SG750 MG750  
 50 Hz 3PH - SG500 MG500, SG600 MG600

ISSUE DATE: 10/12/17

SIZE	CAGE NO	DWG NO	REV
B	N/A	10000022892	D

SCALE	WT-KG	SHEET
0.013	N/A	3 of 5

**INSTALLATION DRAWING**

4

3

2

1

### L2A MOTORIZED DAMPER ENCLOSURE FOR CATALYST AND INTERNATIONAL SILENCER, STEEL

- NOTE:  
 1) CENTER OF GRAVITY AND WEIGHT MAY CHANGE DUE TO UNIT OPTIONS. REFERENCE OWNERS MANUAL FOR LIFTING WARNINGS.  
 2) ALL DIMENSIONS ORIGINATE FROM THE REAR, LEFT HAND CORNER OF THE BASE FRAME.  
 3) MOTORIZED DAMPERS ADD ???? LBS TO WEIGHT  
 4) OVERALL WEIGHT OF UNIT WITH INTERNATIONAL SILENCER WILL BE REDUCED BY 57 KG (125 LBS).

MODEL	ALTERNATOR	VOLTAGE	WEIGHT KG (LBS)	CENTER OF GRAVITY DIM "X"	CENTER OF GRAVITY DIM "Y"	CENTER OF GRAVITY DIM "Z"
SG/MG 625	STD	208/240	TBD	TBD	TBD	TBD
SG/MG 625	UP SIZE 1	208/240	TBD	TBD	TBD	TBD
SG/MG 625	UP SIZE 2	208/240	TBD	TBD	TBD	TBD
SG/MG 625/500	STD	480/600/400 50Hz	TBD	TBD	TBD	TBD
SG/MG 625/500	UP SIZE 1	480/600/400 50Hz	TBD	TBD	TBD	TBD
SG/MG 625/500	UP SIZE 2	480/600/400 50Hz	TBD	TBD	TBD	TBD
SG/MG 750	STD	208/240	TBD	TBD	TBD	TBD
SG/MG 750	UP SIZE 1	208/240	TBD	TBD	TBD	TBD
SG/MG 750	UP SIZE 2	208/240	TBD	TBD	TBD	TBD
SG/MG 750/600	STD	480/600/400 50Hz	TBD	TBD	TBD	TBD
SG/MG 750/600	UP SIZE 1	480/600/400 50Hz	TBD	TBD	TBD	TBD
SG/MG 750/600	UP SIZE 2	480/600/400 50Hz	TBD	TBD	TBD	TBD

### L2A MOTORIZED DAMPER ENCLOSURE FOR CATALYST AND INTERNATIONAL SILENCER, ALUMINUM

MODEL	ALTERNATOR	VOLTAGE	WEIGHT KG (LBS)	CENTER OF GRAVITY DIM "X"	CENTER OF GRAVITY DIM "Y"	CENTER OF GRAVITY DIM "Z"
SG/MG 625	STD	208/240	TBD	TBD	TBD	TBD
SG/MG 625	UP SIZE 1	208/240	TBD	TBD	TBD	TBD
SG/MG 625	UP SIZE 2	208/240	TBD	TBD	TBD	TBD
SG/MG 625/500	STD	480/600/400 50Hz	TBD	TBD	TBD	TBD
SG/MG 625/500	UP SIZE 1	480/600/400 50Hz	TBD	TBD	TBD	TBD
SG/MG 625/500	UP SIZE 2	480/600/400 50Hz	TBD	TBD	TBD	TBD
SG/MG 750	STD	208/240	TBD	TBD	TBD	TBD
SG/MG 750	UP SIZE 1	208/240	TBD	TBD	TBD	TBD
SG/MG 750	UP SIZE 2	208/240	TBD	TBD	TBD	TBD
SG/MG 750/600	STD	480/600/400 50Hz	TBD	TBD	TBD	TBD
SG/MG 750/600	UP SIZE 1	480/600/400 50Hz	TBD	TBD	TBD	TBD
SG/MG 750/600	UP SIZE 2	480/600/400 50Hz	TBD	TBD	TBD	TBD

DRAWING CREATED FROM PRO/ENGINEER 3D FILE. ECO MODIFICATION TO BE APPLIED TO SOLID MODEL ONLY.



TITLE  
 WEIGHT & CENTER OF GRAVITY, G33.9L G2, L2 ENCL  
 60 Hz 3PH - SG625 MG625, SG750 MG750  
 50 Hz 3PH - SG500 MG500, SG600 MG600

ISSUE DATE:		10/12/17	
SIZE	CAGE NO	DWG NO	REV
B	N/A	10000022892	D
SCALE	WT-KG	N/A	SHEET 4 of 5
0.013			

GENERAC POWER SYSTEMS OWNS THE COPYRIGHT OF THIS DRAWING WHICH IS SUPPLIED IN CONFIDENCE AND MUST NOT BE USED FOR ANY PURPOSE OTHER THAN FOR WHICH IT IS SUPPLIED WITHOUT THE EXPRESS WRITTEN CONSENT OF GENERAC POWER SYSTEMS. ©GENERAC POWER SYSTEMS 2015

ELECTRONICALLY APPROVED  
 INSIDE WINDCHILL

# INSTALLATION DRAWING

4

3

SH

5/5

REV

D

WINDCHILL VERSION

D.4

1

NOTE:  
1) INTERNATIONAL SILENCER TO BE SHIPPED LOOSE

1246  
[49.1]

TOP VIEW

FRONT VIEW

2260  
[89.0]

INTERNATIONAL  
SILENCER  
(NOTE 1)

3801  
[149.7]  
TOTAL  
HEIGHT

LEFT SIDE VIEW

DRAWING CREATED FROM PRO/ENGINEER  
3D FILE. ECO MODIFICATION TO BE  
APPLIED TO SOLID MODEL ONLY.

ALL DIMENSIONS ARE IN MILLIMETERS (INCHES)

# INSTALLATION DRAWING

GENERAC POWER SYSTEMS OWNS THE COPYRIGHT OF THIS DRAWING  
WHICH IS SUPPLIED IN CONFIDENCE AND MUST NOT BE USED FOR  
ANY PURPOSE OTHER THAN FOR WHICH IT IS SUPPLIED WITHOUT  
THE EXPRESS WRITTEN CONSENT OF GENERAC POWER SYSTEMS.  
©GENERAC POWER SYSTEMS 2013

ELECTRONICALLY APPROVED  
INSIDE WINDCHILL

## GENERAC

TITLE  
INTERNATIONAL SILENCER DIM'S, G33.9L G2, L2 ENCL  
60 Hz 3PH - SG625 MG625, SG750 MG750  
50 Hz 3PH - SG500 MG500, SG600 MG600

ISSUE DATE: 10/12/17

SIZE B	CAGE NO N/A	DWG NO 10000022892	REV D
-----------	----------------	-----------------------	----------

SCALE 0.013	WT-KG N/A	SHEET 5 of 5
----------------	--------------	-----------------

4

3

2

1