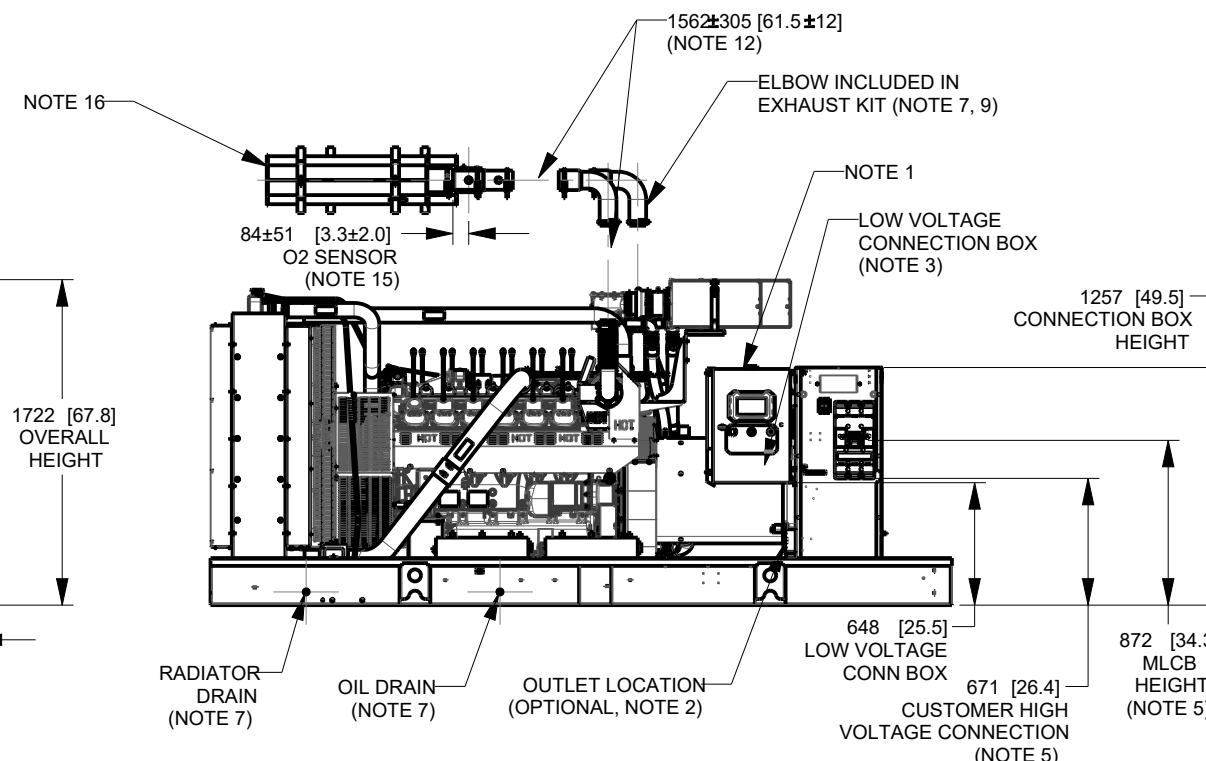
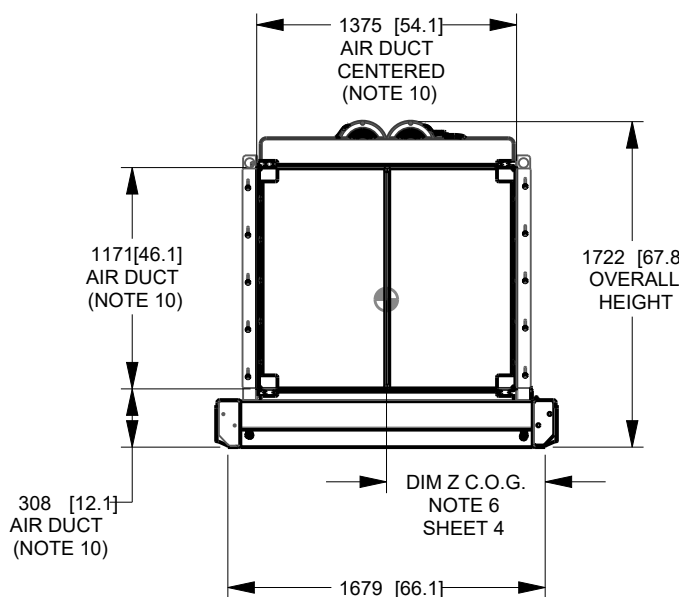
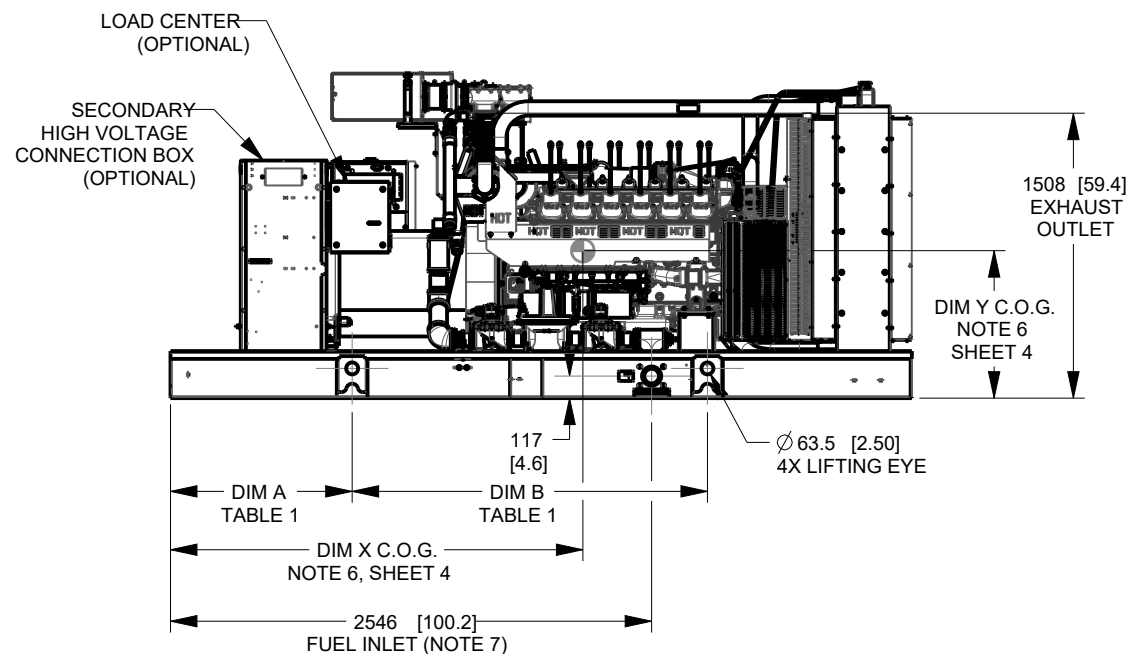
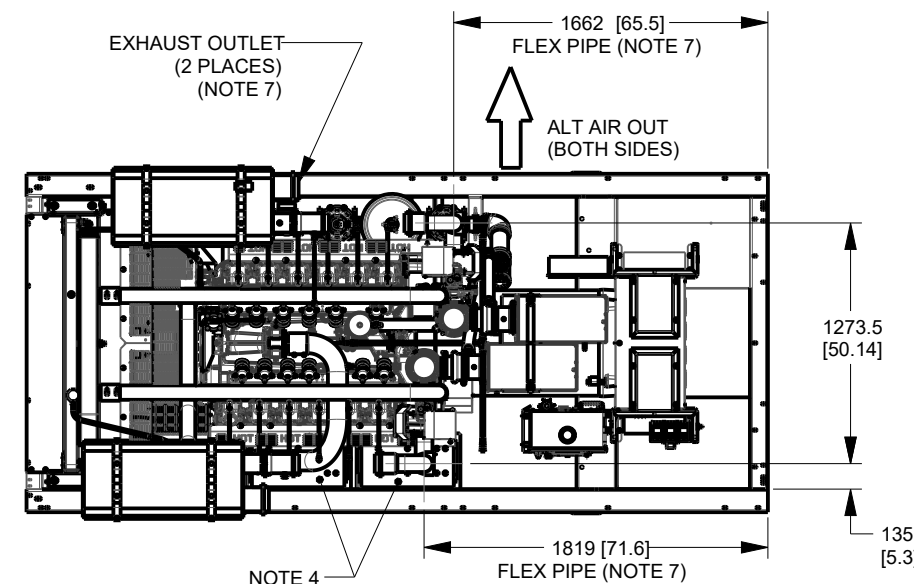


NOTES:

- CONTROL PANEL, (OPTIONAL BATTERY CHARGER INSIDE).
- 120V, 20A GFCI & 250V, 15A OUTLET (OPTIONAL).
- CONNECTION POINTS FOR CONTROL WIRES PROVIDED IN THE LOW VOLTAGE CONNECTION BOX (USE LOW VOLTAGE STUB-UP AREA).
- BATTERY (24 VOLT NEGATIVE GROUND SYSTEM).
- MAIN LINE CIRCUIT BREAKER (MLCB), AC LOAD LEADS. (DIMENSIONS MAY VARY DUE TO UNIT CONFIGURATION)
- CENTER OF GRAVITY AND WEIGHT MAY CHANGE DUE TO UNIT OPTIONS.
- ENGINE SERVICE CONNECTIONS:
 INLET NATURAL GAS = 2" NPT FEMALE COUPLING(STAND OPT), 3" NPT FEMALE COUPLING (LOW FUEL PRESSURE OPT)
 INLET DIESEL = N/A
 RETURN DIESEL = N/A
 OIL DRAIN = 1/2" NPT FEMALE COUPLING
 RADIATOR DRAIN = 1/2" NPT FEMALE COUPLING
 FLEX PIPE OUTLET = 3.5" O.D.
 EXHAUST OUTLET = 5" O.D.
 ***** SEE GENERATOR SIZING GUIDE FOR FUEL PIPE SIZING TO SUIT APPLICATION *****
- AUXILIARY AC CONNECTION FOR UNIT OPTIONS ARE LOCATED IN HIGH VOLTAGE CONNECTION BOX, UNLESS AN OPTIONAL LOAD CENTER IS INSTALLED.
- EXHAUST PIPES MAY BE ROTATED TO ALLOW MUFFLER TO POINT OUT TO THE RIGHT OR LEFT SIDE OF GENERATOR. (MAY NOT APPLY TO ALL UNITS)
- GENERATOR SET MUST BE INSTALLED SUCH THAT FRESH COOLING AIR IS AVAILABLE AND DISCHARGE AIR FROM THE RADIATOR IS NOT RECIRCULATED.
- BOTTOM OF GENERATOR SET MUST BE ENCLOSED TO PREVENT PEST INTRUSION AND RECIRCULATION OF DISCHARGE AIR AND/OR IMPROPER COOLING AIR FLOW.
- INSTALL EXHAUST BLANKETS ALONG THIS LINE.
- CONNECT THE OPEN SET EXHAUST PER NFPA 37
- BLANKETS SHOULD NOT COVER OXYGEN SENSOR.
- OXYGEN SENSOR MUST BE MOUNTED BETWEEN ENGINE OUTLET AND SILENCER INLET AS SHOWN. IF ELBOW IS REQUIRED, ONLY SINGLE ELBOW MAY BE USED.
- CATALYZED SILENCER (FOR EPA UNITS) MUST BE MOUNTED IN DESCRIBED POSITION. FAILING TO FOLLOW THESE INSTRUCTIONS WHEN INSTALLING A CERTIFIED ENGINE IN A PIECE OF STATIONARY EQUIPMENT VIOLATES FEDERAL LAW 40 CFR 1068.105(b), SUBJECT TO FINES OR PENALTIES AS DESCRIBED IN THE CLEAN AIR ACT.
- BOLTS OR STUDS USED TO MOUNT UNIT TO PAD SHALL BE 5/8 - 11 GRADE 5.

ADDITIONAL NOTES:
FOR WEIGHT AND CENTER OF GRAVITY DATA SEE NOTE 6, AND SHEET 4.

TABLE 1		
DIM	OPEN SET, L1A, L2A ENCLOSED	L3A ENCLOSED
A	961 [37.8]	731 [28.8]
B	1880 [74.0]	2815 [110.8]



DRAWING CREATED FROM PRO/ENGINEER 3D FILE. ECO MODIFICATION TO BE APPLIED TO SOLID MODEL ONLY.

DIMENSIONS ARE IN MILLIMETERS [INCHES]

GENERAC POWER SYSTEMS OWNS THE COPYRIGHT OF THIS DRAWING WHICH IS SUPPLIED IN CONFIDENCE AND MUST NOT BE USED FOR ANY PURPOSE OTHER THAN FOR WHICH IT IS SUPPLIED WITHOUT THE EXPRESS WRITTEN CONSENT OF GENERAC POWER SYSTEMS. ©GENERAC POWER SYSTEMS 2013

ELECTRONICALLY APPROVED INSIDE WINDCHILL



TITLE

L1A & L2A OPEN SET, G21.9L
60Hz: SG350, SG400, PG315, PG360
50Hz: SG280, SG320, PG252, PG288
400V, 480V & 600V STANDARD ALT.

ISSUE DATE: 11/14/18

SIZE	CAGE NO	DWG NO	REV
B	N/A	10000037155	E
SCALE	WT-KG	SHEET	
1.000	0.000	1 of 4	

INSTALLATION DRAWING

4

3

SH

2/4

REV E

WINDCHILL VERSION E.2

1

RECOMENDED ELECTRICAL STUB-UP

(HIGH VOLTAGE STUB-UP)
AC LOAD LEAD CONDUIT FOR
PERMANENT MAGNET EXCITATION
CONNECTION BOX

(LOW VOLTAGE STUB-UP)

3725 [146.7] TYP

2980 [117.3] TYP

2235 [88.0] TYP

1490 [58.7] TYP

745 [29.3] TYP

99 [3.9] TYP

1791 [70.5] OVERALL WIDTH

1630 [64.2]

81 [3.2]

12X Ø16.7 [.66] MOUNTING HOLES (SEE NOTE 17)

215 [8.5]

LOW VOLTAGE STUB-UP AREA SURFACE MOUNTED (SEE NOTE 3)

420 [16.5]

1013 [39.9]

3923 [154.4] OVERALL LENGTH

325 [12.8] TYP

438 [17.2] TYP

SECONDARY CB CONNECTION BOX OPENING (OPTIONAL)

416 [16.4] TYP

SECONDARY HIGH VOLTAGE STUB-UP AREA (OPTIONAL) W/GLAND PLATE

120 [4.7] TYP

575 [22.7]

PRIMARY CB CONNECTION BOX OPENING

479 [18.9]

PRIMARY HIGH VOLTAGE STUB-UP AREA W/GLAND PLATE

129 [5.1]

699 [27.5] OPEN AREA FOR STUB-UP

95 [3.7]

DRAWING CREATED FROM PRO/ENGINEER 3D FILE. ECO MODIFICATION TO BE APPLIED TO SOLID MODEL ONLY.

DIMENSIONS ARE IN MILLIMETERS [INCHES]

TITLE
OPEN, STANDARD, L1A & L2A STUB UP VIEW
 G21.9, 60Hz: SG350, SG400, PG315, PG360
 50Hz: SG280, SG320, PG252, PG288

ISSUE DATE:		11/14/18	
SIZE	CAGE NO	DWG NO	REV
B	N/A	10000037155	E
SCALE	1.000	WT-KG	0.000
SHEET		2 of 4	

INSTALLATION DRAWING

GENERAC POWER SYSTEMS OWNS THE COPYRIGHT OF THIS DRAWING WHICH IS SUPPLIED IN CONFIDENCE AND MUST NOT BE USED FOR ANY PURPOSE OTHER THAN FOR WHICH IT IS SUPPLIED WITHOUT THE EXPRESS WRITTEN CONSENT OF GENERAC POWER SYSTEMS. ©GENERAC POWER SYSTEMS 2013

ELECTRONICALLY APPROVED
INSIDE WINDCHILL

4

3

2

1

4

3

SH

3/4

REV

E

WINDCHILL VERSION

E.2

1

RECOMENDED ELECTRICAL STUB-UP

(HIGH VOLTAGE STUB-UP)
AC LOAD LEAD CONDUIT FOR
PERMANENT MAGNUT EXCITATION
CONNECTION BOX

(LOW VOLTAGE STUB-UP)

3725 [146.7] TYP

2980 [117.3] TYP

2235 [88.0] TYP

1490 [58.7] TYP

745 [29.3] TYP

99 [3.9] TYP

325 [12.8] TYP

438 [17.2] TYP

SECONDARY CB CONNECTION
BOX OPENING (OPTIONAL)

492 [19.4] TYP

SECONDARY HIGH VOLTAGE
STUB-UP AREA (OPTIONAL)
W/GLAND PLATE

120 [4.7] TYP

575 [22.7]

PRIMARY CB CONNECTION
BOX OPENING

486 [19.1]

PRIMARY HIGH VOLTAGE
STUB-UP AREA
W/GLAND PLATE

198 [7.8]

1943 [76.5]
OVERALL WIDTH

1782 [70.2]

81 [3.2]

12X \varnothing 16.66 [.7]
MOUNTING HOLES
(SEE NOTE 17)

LOW VOLTAGE STUB-UP
AREA SURFACE MOUNTED
(SEE NOTE 3)

215 [8.5]

705 [27.8]
OPEN AREA
FOR STUB-UP

95 [3.7]

420 [16.5]

1013 [39.9]

4228 [166.4]
OVERALL LENGTH

DRAWING CREATED FROM PRO/ENGINEER
3D FILE. ECO MODIFICATION TO BE
APPLIED TO SOLID MODEL ONLY.

DIMENSIONS ARE IN MILLIMETERS [INCHES]

GENERAC

TITLE

L3A STUB-UP VIEW
G21.9L, 60Hz: SG350, SG400, PG315, PG360
50Hz: SG280, SG320, PG252, PG288

ISSUE DATE: 11/14/18

SIZE	CAGE NO	DWG NO	REV
B	N/A	10000037155	E

SCALE	WT-KG	SHEET
1.000	0.000	3 of 4

GENERAC POWER SYSTEMS OWNS THE COPYRIGHT OF THIS DRAWING
WHICH IS SUPPLIED IN CONFIDENCE AND MUST NOT BE USED FOR
ANY PURPOSE OTHER THAN FOR WHICH IT IS SUPPLIED WITHOUT
THE EXPRESS WRITTEN CONSENT OF GENERAC POWER SYSTEMS.
©GENERAC POWER SYSTEMS 2013

ELECTRONICALLY APPROVED
INSIDE WINDCHILL

INSTALLATION DRAWING

4

3

2

1

OPEN SET

MODEL	VOLTAGE	WEIGHT	CENTER OF GRAVITY DIM X	CENTER OF GRAVITY DIM Y	CENTER OF GRAVITY DIM Z
SG/MG 350/400, PG/WG 315/360 SG 280/320, PG 252/288	400V, 480V & 600V	3,312 kg [7,300 lbs]	1988 [78.3]	667 [26.3]	837 [33.0]
SG 350/400, PG 315/360	208V & 240V	3,567 kg [7,864 lbs]	1939 [76.3]	664 [26.1]	837 [33.0]
SG/MG 350/400, PG/WG 315/360 SG 280/320, PG 252/288	400V, 480V & 600V UPSIZED ALT.	3,667 kg [8,084 lbs]	1915 [75.4]	662 [26.0]	837 [33.0]
SG 350/400 PG 315/360	208V & 240V UPSIZED ALT.	3,753 kg [8,274 lbs]	1896 [74.6]	660 [26.0]	837 [33.0]

NOTE:
CENTER OF GRAVITY AND WEIGHT MAY CHANGE DUE TO UNIT OPTIONS.

STD ENCLOSURE, STEEL

MODEL	VOLTAGE	WEIGHT	CENTER OF GRAVITY DIM X	CENTER OF GRAVITY DIM Y	CENTER OF GRAVITY DIM Z
SG/MG 350/400, PG/WG 315/360 SG 280/320, PG 252/288	400V, 480V & 600V	4,305 kg [9,490 lbs]	2243 [88.3]	803 [31.6]	837 [33.0]
SG 350/400, PG 315/360	208V & 240V	4,561 kg [10,055 lbs]	2199 [86.6]	797 [31.4]	837 [33.0]
SG/MG 350/400, PG/WG 315/360 SG 280/320, PG 252/288	400V, 480V & 600V UPSIZED ALT.	4,660 kg [10,274 lbs]	2174 [85.6]	792 [31.2]	838 [33.0]
SG 350/400 PG 315/360	208V & 240V UPSIZED ALT.	4,746 kg [10,463 lbs]	2154 [84.8]	788 [31.0]	838 [33.0]

STD ENCLOSURE, ALUMINUM

WEIGHT	CENTER OF GRAVITY DIM X	CENTER OF GRAVITY DIM Y	CENTER OF GRAVITY DIM Z
3,812 kg [8,404 lbs]	2160 [85.0]	746 [29.4]	837 [33.0]
4,068 kg [8,968 lbs]	2112 [83.1]	741 [29.2]	837 [33.0]
4,167 kg [9,187 lbs]	2086 [82.1]	737 [29.0]	838 [33.0]
4,253 kg [9,376 lbs]	2065 [81.3]	734 [28.9]	838 [33.0]

L1A ENCLOSURE, STEEL

MODEL	VOLTAGE	WEIGHT	CENTER OF GRAVITY DIM X	CENTER OF GRAVITY DIM Y	CENTER OF GRAVITY DIM Z
SG/MG 350/400, PG/WG 315/360 SG 280/320, PG 252/288	400V, 480V & 600V	4,762 kg [10,498 lbs]	2054 [80.9]	834 [32.8]	841 [33.1]
SG 350/400, PG 315/360	208V & 240V	5,017 kg [11,060 lbs]	2020 [79.5]	828 [32.6]	841 [33.1]
SG/MG 350/400, PG/WG 315/360 SG 280/320, PG 252/288	400V, 480V & 600V UPSIZED ALT.	5,117 kg [11,281 lbs]	2002 [78.8]	823 [32.4]	841 [33.1]
SG 350/400 PG 315/360	208V & 240V UPSIZED ALT.	5,203 kg [11,470 lbs]	1987 [78.2]	818 [32.2]	841 [33.1]

L1A ENCLOSURE, ALUMINUM

WEIGHT	CENTER OF GRAVITY DIM X	CENTER OF GRAVITY DIM Y	CENTER OF GRAVITY DIM Z
4,008 kg [8,836 lbs]	2066 [81.3]	766 [30.2]	839 [33.0]
4,264 kg [9,400 lbs]	2024 [79.7]	760 [29.9]	839 [33.0]
4,363 kg [9,618 lbs]	2024 [79.7]	756 [29.7]	839 [33.0]
4,449 kg [9,808 lbs]	2024 [79.7]	752 [29.6]	839 [33.0]

L2A ENCLOSURE, STEEL

MODEL	VOLTAGE	WEIGHT	CENTER OF GRAVITY DIM X	CENTER OF GRAVITY DIM Y	CENTER OF GRAVITY DIM Z
SG/MG 350/400, PG/WG 315/360 SG 280/320, PG 252/288	400V, 480V & 600V	4,915 kg [10,836 lbs]	2237 [88.1]	1247 [49.1]	837 [33.0]
SG 350/400, PG 315/360	208V & 240V	5,170 kg [11,398 lbs]	2206 [86.9]	1233 [48.5]	837 [33.0]
SG/MG 350/400, PG/WG 315/360 SG 280/320, PG 252/288	400V, 480V & 600V UPSIZED ALT.	5,270 kg [11,618 lbs]	2188 [86.1]	1222 [48.1]	837 [33.0]
SG 350/400 PG 315/360	208V & 240V UPSIZED ALT.	5,356 kg [11,808 lbs]	2174 [85.6]	1212 [47.7]	837 [33.0]

L2A ENCLOSURE, ALUMINUM

WEIGHT	CENTER OF GRAVITY DIM X	CENTER OF GRAVITY DIM Y	CENTER OF GRAVITY DIM Z
4,074 kg [8,982 lbs]	2171 [85.5]	1016 [40.0]	837 [33.0]
4,330 kg [9,546 lbs]	2131 [83.9]	1004 [39.5]	837 [33.0]
4,429 kg [9,764 lbs]	2109 [83.0]	994 [39.1]	837 [33.0]
4,515 kg [9,954 lbs]	2091 [82.3]	986 [38.8]	837 [33.0]

L3A ENCLOSURE, STEEL

MODEL	VOLTAGE	WEIGHT	CENTER OF GRAVITY DIM X	CENTER OF GRAVITY DIM Y	CENTER OF GRAVITY DIM Z
SG/MG 350/400, PG/WG 315/360 SG 280/320, PG 252/288	400V, 480V & 600V	5,997 kg [13,224 lbs]	2,409 [94.8]	995 [39.2]	1005 [39.6]
SG 350/400, PG 315/360	208V & 240V	6,312 kg [13,919 lbs]	2,342 [92.2]	975 [38.4]	1003 [39.5]
SG/MG 350/400, PG/WG 315/360 SG 280/320, PG 252/288	400V, 480V & 600V UPSIZED ALT.	6,472 kg [14,272 lbs]	2,314 [91.1]	966 [30.0]	1003 [39.5]
SG 350/400 PG 315/360	208V & 240V UPSIZED ALT.	6,308 kg [13,910 lbs]	2,342 [92.2]	975 [38.4]	1004 [39.5]

DRAWING CREATED FROM PRO/ENGINEER 3D FILE. ECO MODIFICATION TO BE APPLIED TO SOLID MODEL ONLY.



TITLE
WEIGHT AND CENTER OF GRAVITY
 G21.9L, 60Hz: SG350, SG400, PG3115, PG360
 50Hz: SG280, SG320, PG252, PG288

ISSUE DATE:		11/14/18	
SIZE	CAGE NO	DWG NO	REV
B	N/A	10000037155	E
SCALE	1.000	WT-KG	0.000
SHEET	4 of 4		

GENERAC POWER SYSTEMS OWNS THE COPYRIGHT OF THIS DRAWING WHICH IS SUPPLIED IN CONFIDENCE AND MUST NOT BE USED FOR ANY PURPOSE OTHER THAN FOR WHICH IT IS SUPPLIED WITHOUT THE EXPRESS WRITTEN CONSENT OF GENERAC POWER SYSTEMS. ©GENERAC POWER SYSTEMS 2013

ELECTRONICALLY APPROVED
INSIDE WINDCHILL

INSTALLATION DRAWING