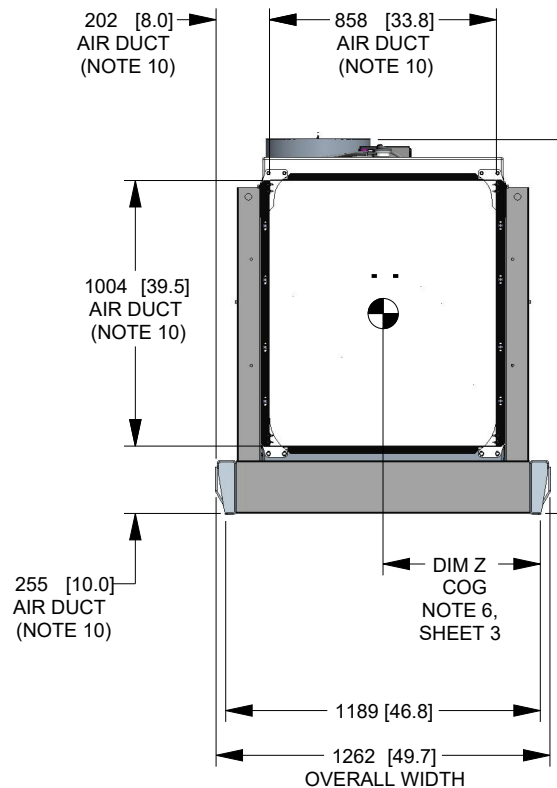
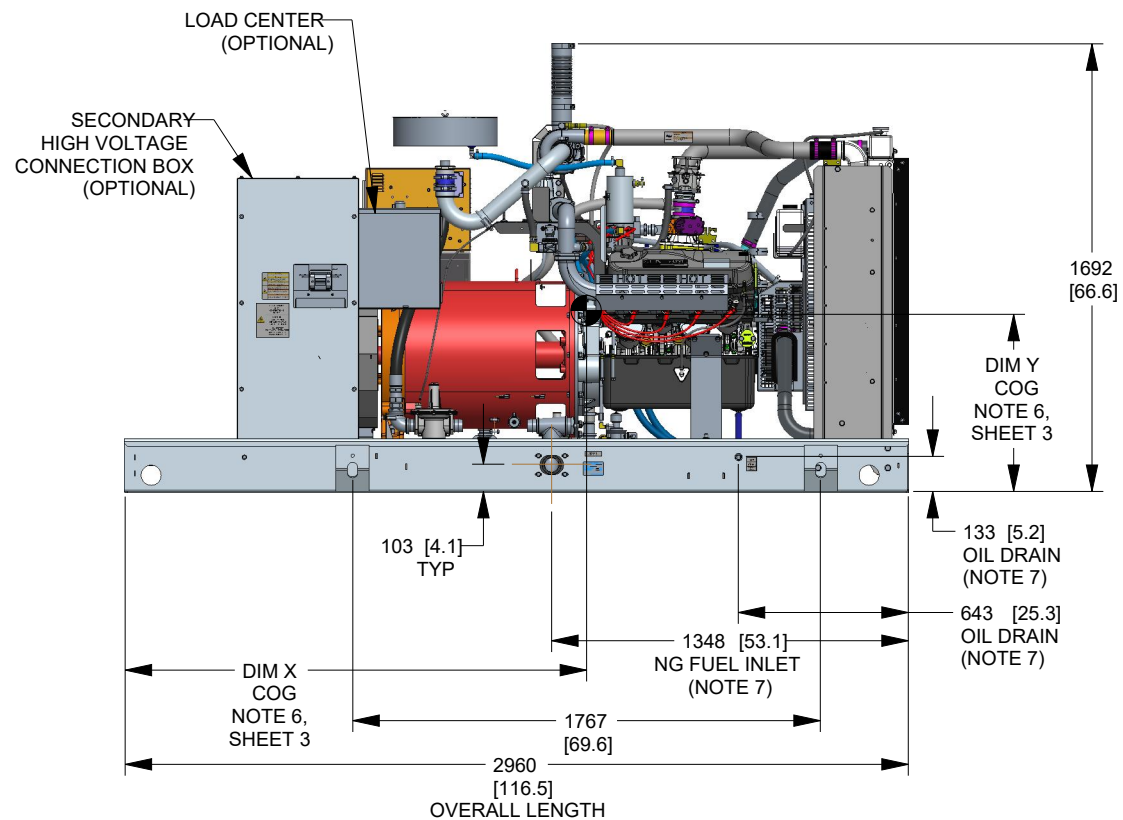
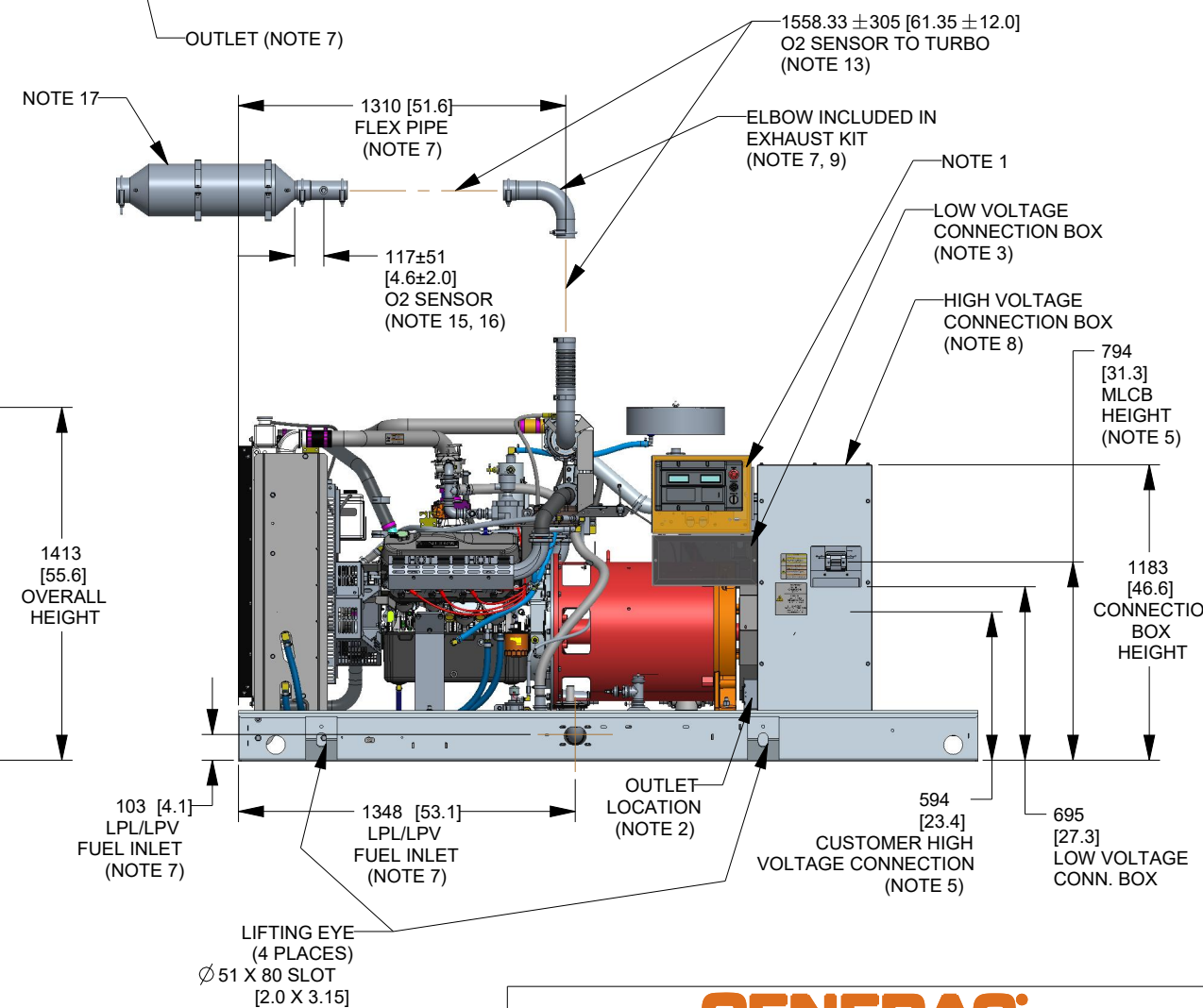
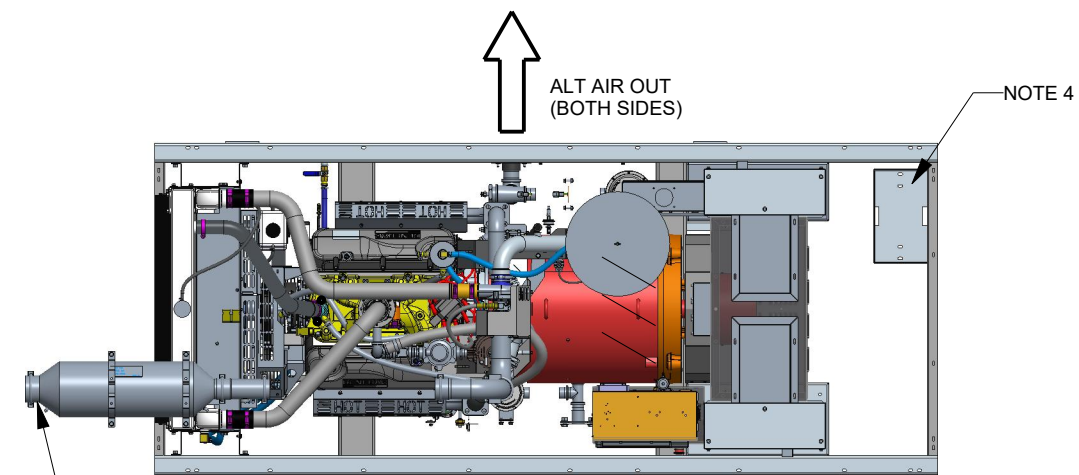


- Notes:
- CONTROL PANEL, (OPTIONAL BATTERY CHARGER INSIDE).
  - 120V, 20A GFCI & 250V, 15A OUTLET (OPTIONAL).
  - CONNECTION POINTS FOR CONTROL WIRES PROVIDED IN THE LOW VOLTAGE CONNECTION BOX (USE LOW VOLTAGE STUB-UP AREA).
  - BATTERY (12 VOLT NEGATIVE GROUND SYSTEM).
  - MAIN LINE CIRCUIT BREAKER (MLCB), AC LOAD LEADS. (DIMENSIONS MAY VARY DUE TO UNIT CONFIGURATION)
  - CENTER OF GRAVITY AND WEIGHT MAY CHANGE DUE TO UNIT OPTIONS.
  - ENGINE SERVICE CONNECTIONS:  
 INLET NATURAL GAS = 2" NPT FEMALE COUPLING  
 INLET DIESEL = N/A  
 RETURN DIESEL = N/A  
 OIL DRAIN = 1/2" NPT  
 RADIATOR DRAIN = N/A  
 FLEX PIPE OUTLET = 3"  
 EXHAUST OUTLET = 4"  
 INLET LPL = 1/4" NPT FEMALE COUPLING  
 \*\*\*\*\* SEE GENERATOR SIZING GUIDE FOR FUEL PIPE SIZING TO SUIT APPLICATION \*\*\*\*\*

- AUXILIARY AC CONNECTION FOR UNIT OPTIONS ARE LOCATED IN HIGH VOLTAGE CONNECTION BOX, UNLESS AN OPTIONAL LOAD CENTER IS INSTALLED.
  - EXHAUST PIPES MAY BE ROTATED TO ALLOW MUFFLER TO POINT OUT TO THE RIGHT OR LEFT SIDE OF GENERATOR. (MAY NOT APPLY TO ALL UNITS)
  - GENERATOR SET MUST BE INSTALLED SUCH THAT FRESH COOLING AIR IS AVAILABLE AND DISCHARGE AIR FROM THE RADIATOR IS NOT RECIRCULATED.
  - BOTTOM OF GENERATOR SET MUST BE ENCLOSED TO PREVENT PEST INTRUSION AND RECIRCULATION OF DISCHARGE AIR AND/OR IMPROPER COOLING AIR FLOW.
  - EXHAUST SYSTEM MAXIMUM BACK PRESSURE = 10" H2O, POST SILENCER.
  - INSTALL EXHAUST BLANKETS ALONG THIS LINE.
  - CONNECT THE OPEN SET EXHAUST PER NFPA 37
  - BLANKETS SHOULD NOT COVER OXYGEN SENSOR.
  - OXYGEN SENSOR (IF EQUIPPED) MUST BE MOUNTED BETWEEN ENGINE OUTLET AND CATALYST INLET AS SHOWN. IF ELBOW IS REQUIRED ONLY SINGLE ELBOW MAY BE USED.
  - CATALYST MUST BE MOUNTED IN DESCRIBED POSITION. FAILING TO FOLLOW THESE INSTRUCTIONS WHEN INSTALLING A CERTIFIED ENGINE IN A PIECE OF STATIONARY EQUIPMENT VIOLATES FEDERAL LAW 40CFR 1068.105(b), SUBJECT TO FINES OR PENALTIES AS DESCRIBED IN THE CLEAN AIR ACT.
  - BOLTS OR STUDS USED TO MOUNT UNIT TO PAD SHALL BE 5/8 - 11 GRADE 5.
- ADDITIONAL NOTES: FOR WEIGHT AND CENTER OF GRAVITY DATA SEE NOTE 6, AND SHEET 3.



DRAWING CREATED FROM PRO/ENGINEER 3D FILE. ECO MODIFICATION TO BE APPLIED TO SOLID MODEL ONLY.

DIMENSIONS ARE IN MILLIMETERS [INCHES]



TITLE				
OPEN SET G9.0L, 60HZ: SG150 50HZ: SG120, SG104 (1 PH) SG130/150, SG104/120-UPSIZE ALT				
ISSUE DATE:				
SIZE	CAGE NO	DWG NO	REV	
B	N/A	10000018604	B	
SCALE	0.035	WT-KG	SHEET	1 of 3

GENERAC POWER SYSTEMS OWNS THE COPYRIGHT OF THIS DRAWING WHICH IS SUPPLIED IN CONFIDENCE AND MUST NOT BE USED FOR ANY PURPOSE OTHER THAN FOR WHICH IT IS SUPPLIED WITHOUT THE EXPRESS WRITTEN CONSENT OF GENERAC POWER SYSTEMS. ©GENERAC POWER SYSTEMS 2013

ELECTRONICALLY APPROVED INSIDE WINDCHILL

# INSTALLATION DRAWING

4

3

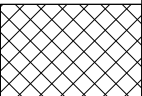

SH 2/3

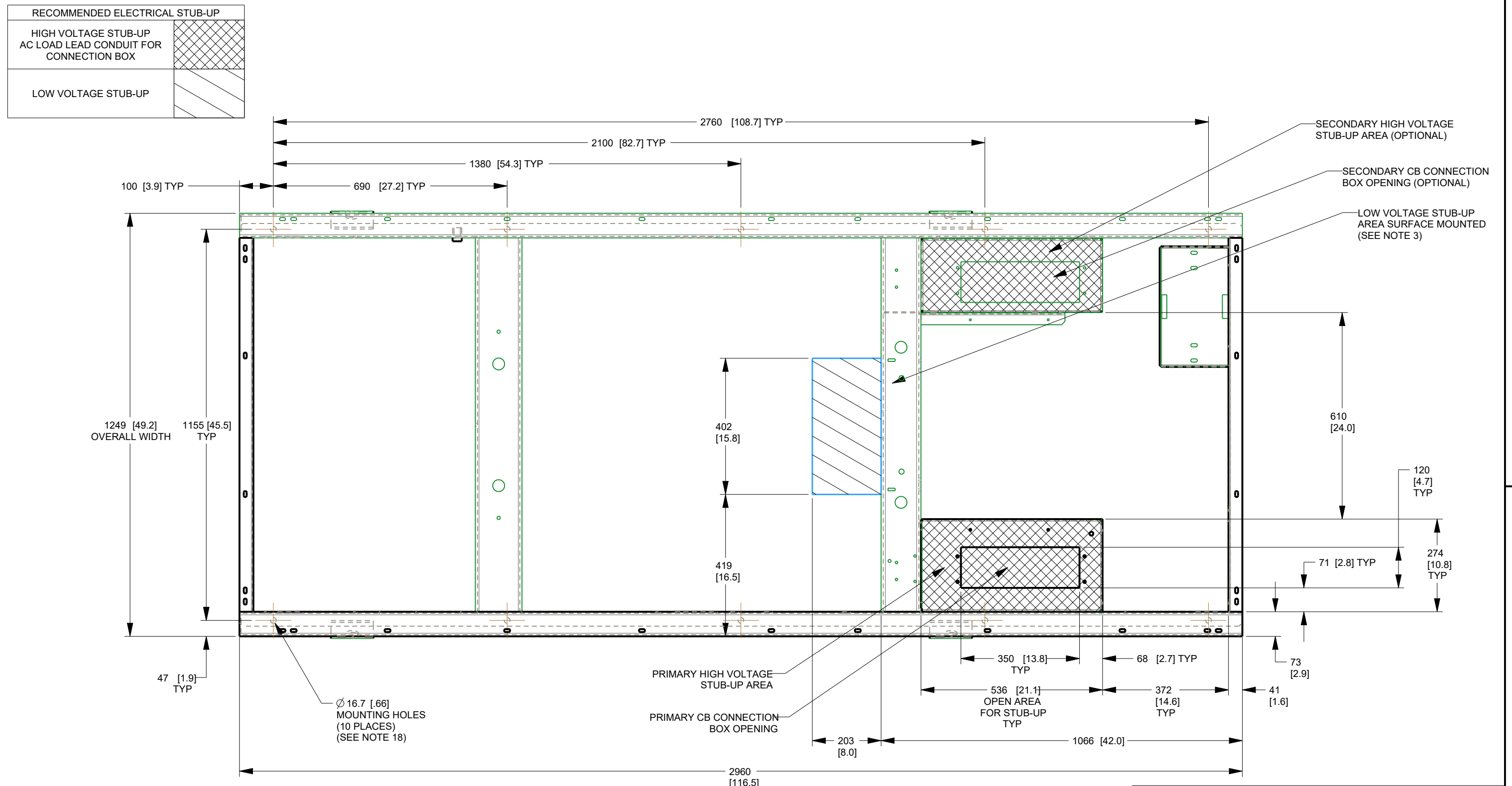
REV B

WINDCHILL VERSION B.3

1

**RECOMMENDED ELECTRICAL STUB-UP**

HIGH VOLTAGE STUB-UP AC LOAD LEAD CONDUIT FOR CONNECTION BOX	
LOW VOLTAGE STUB-UP	



2760 [108.7] TYP

2100 [82.7] TYP

1380 [54.3] TYP

690 [27.2] TYP

100 [3.9] TYP

1249 [49.2] OVERALL WIDTH

1155 [45.5] TYP

402 [15.8]

419 [16.5]

610 [24.0]

120 [4.7] TYP

274 [10.8] TYP

71 [2.8] TYP

73 [2.9]

41 [1.6]

350 [13.8] TYP

68 [2.7] TYP

536 [21.1] OPEN AREA FOR STUB-UP TYP

372 [14.6] TYP

1066 [42.0]

203 [8.0]

2960 [116.5] OVERALL LENGTH

47 [1.9] TYP

Ø 16.7 [.66] MOUNTING HOLES (10 PLACES) (SEE NOTE 18)

PRIMARY HIGH VOLTAGE STUB-UP AREA

PRIMARY CB CONNECTION BOX OPENING

SECONDARY HIGH VOLTAGE STUB-UP AREA (OPTIONAL)

SECONDARY CB CONNECTION BOX OPENING (OPTIONAL)

LOW VOLTAGE STUB-UP AREA SURFACE MOUNTED (SEE NOTE 3)

DRAWING CREATED FROM PRO/ENGINEER 3D FILE. ECO MODIFICATION TO BE APPLIED TO SOLID MODEL ONLY.

# INSTALLATION DRAWING

GENERAC POWER SYSTEMS OWNS THE COPYRIGHT OF THIS DRAWING WHICH IS SUPPLIED IN CONFIDENCE AND MUST NOT BE USED FOR ANY PURPOSE OTHER THAN FOR WHICH IT IS SUPPLIED WITHOUT THE EXPRESS WRITTEN CONSENT OF GENERAC POWER SYSTEMS. ©GENERAC POWER SYSTEMS 2013

ELECTRONICALLY APPROVED  
INSIDE WINDCHILL



TITLE			
<b>STUB-UP VIEW</b> G9.0L, 60HZ: SG150 50HZ: SG120, SG104 (1 PH) SG 130/150, SG 104/120-UPSIZ ALT			
ISSUE DATE:			
SIZE	CAGE NO	DWG NO	REV
B		10000018604	B
SCALE	WT-KG	SHEET	2 of 3
0.090			

4

3

2

1

OPEN SET

MODEL	VOLTAGE	WEIGHT	CENTER OF GRAVITY DIM X	CENTER OF GRAVITY DIM Y	CENTER OF GRAVITY DIM Z
SG150, SG120	220V/240V ∅	1288 KG [2840 LBS]	1728 [68.0]	552 [21.7]	581 [22.9]
SG/MG150, SG/MG120	208V, 240V, 400V, 480V& 600V ∅	1337 KG [2948 LBS]	1710 [67.3]	551 [21.7]	

NOTE: CENTER OF GRAVITY AND WEIGHT MAY CHANGE DUE TO UNIT OPTIONS.

STD ENCLOSURE, STEEL

MODEL	VOLTAGE	WEIGHT	CENTER OF GRAVITY DIM X	CENTER OF GRAVITY DIM Y	CENTER OF GRAVITY DIM Z
SG150, SG120	220V/240V ∅	1695 KG [3737 LBS]	1804 [71.0]	659 [25.9]	612 [24.1]
SG/MG150, SG/MG120	208V, 240V, 400V, 480V& 600V ∅	1744 KG [3845 LBS]	1788 [70.4]	655 [25.8]	

STD ENCLOSURE, ALUMINUM

WEIGHT	CENTER OF GRAVITY DIM X	CENTER OF GRAVITY DIM Y	CENTER OF GRAVITY DIM Z
1487 KG [3278 LBS]	1784 [70.2]	610 [24.0]	612 [24.1]
1536 KG [3386 LBS]	1767 [69.6]	607 [23.9]	

L1A ENCLOSURE, STEEL

MODEL	VOLTAGE	WEIGHT	CENTER OF GRAVITY DIM X	CENTER OF GRAVITY DIM Y	CENTER OF GRAVITY DIM Z
SG150, SG120	220V/240V ∅	1825 KG [4023 LBS]	1700 [66.9]	685 [27.0]	612 [24.1]
SG/MG150, SG/MG120	208V, 240V, 400V, 480V& 600V ∅	1874 KG [4131 LBS]	1689 [66.5]	680 [26.8]	

L1A ENCLOSURE, ALUMINUM

WEIGHT	CENTER OF GRAVITY DIM X	CENTER OF GRAVITY DIM Y	CENTER OF GRAVITY DIM Z
1411 KG [3111 LBS]	1732 [68.2]	625 [24.6]	612 [24.1]
1432 [3157 LBS]	1717 [67.6]	622 [24.5]	

L2A ENCLOSURE, STEEL

MODEL	VOLTAGE	WEIGHT	CENTER OF GRAVITY DIM X	CENTER OF GRAVITY DIM Y	CENTER OF GRAVITY DIM Z
SG150, SG120	220V/240V ∅	1912 KG [4215 LBS]	1805 [71.1]	814 [32.0]	614 [24.2]
SG/MG150, SG/MG120	208V, 240V, 400V, 480V& 600V ∅	1961 KG [4323 LBS]	1791 [70.5]	806 [31.7]	

L2A ENCLOSURE, ALUMINUM

WEIGHT	CENTER OF GRAVITY DIM X	CENTER OF GRAVITY DIM Y	CENTER OF GRAVITY DIM Z
1581 KG [3486 LBS]	1786 [70.3]	694 [27.3]	612 [24.1]
1630 KG [3594 LBS]	1770 [69.7]	689 [27.1]	

DRAWING CREATED FROM PRO/ENGINEER 3D FILE. ECO MODIFICATION TO BE APPLIED TO SOLID MODEL ONLY.

DIMENSIONS ARE IN MILLIMETERS [INCHES]

GENERAC POWER SYSTEMS OWNS THE COPYRIGHT OF THIS DRAWING WHICH IS SUPPLIED IN CONFIDENCE AND MUST NOT BE USED FOR ANY PURPOSE OTHER THAN FOR WHICH IT IS SUPPLIED WITHOUT THE EXPRESS WRITTEN CONSENT OF GENERAC POWER SYSTEMS. ©GENERAC POWER SYSTEMS 2013

ELECTRONICALLY APPROVED INSIDE WINDCHILL



TITLE			
WEIGHT & CENTER OF GRAVITY G9.0L, 60HZ: SG150 50HZ: SG120, SG104 (1 PH) SG 130/150, SG 104/120-UPSIZING ALT			
ISSUE DATE:			
SIZE	CAGE NO	DWG NO	REV
B		10000018604	B
SCALE	0.035	WT-KG	SHEET 3 of 3

# INSTALLATION DRAWING