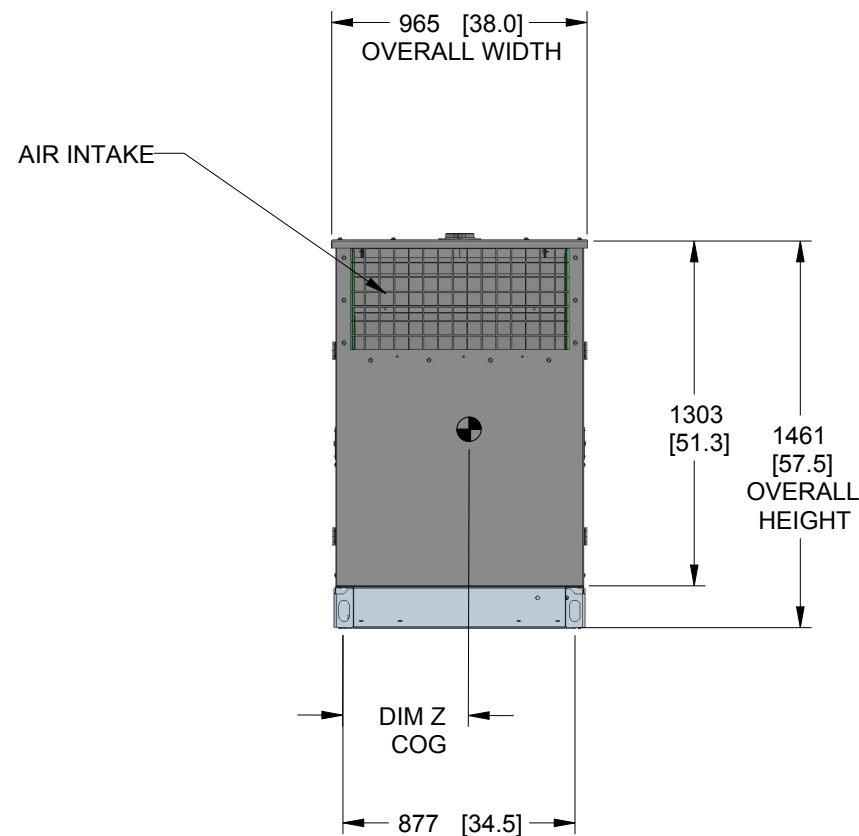
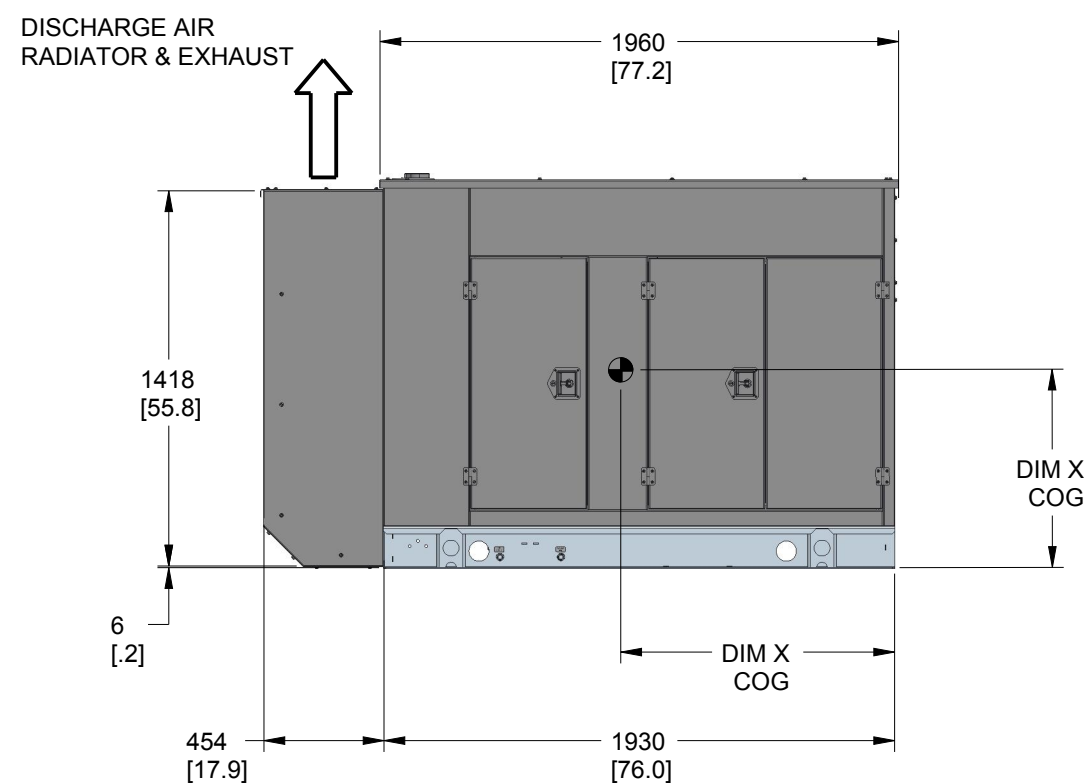


FOR ALL STUB-UP, WEIGHT AND COG DETAILS, SEE CORRESPONDING OPEN SET DRAWING PER UNIT CONFIGURATION.



DRAWING CREATED FROM PRO/ENGINEER 3D FILE. ECO MODIFICATION TO BE APPLIED TO SOLID MODEL ONLY.

DIMENSIONS ARE IN MILLIMETERS [INCHES]

# INSTALLATION DRAWING

GENERAC POWER SYSTEMS OWNS THE COPYRIGHT OF THIS DRAWING WHICH IS SUPPLIED IN CONFIDENCE AND MUST NOT BE USED FOR ANY PURPOSE OTHER THAN FOR WHICH IT IS SUPPLIED WITHOUT THE EXPRESS WRITTEN CONSENT OF GENERAC POWER SYSTEMS. ©GENERAC POWER SYSTEMS 2013

ELECTRONICALLY APPROVED  
INSIDE WINDCHILL



TITLE				
INSTALL A-GRP ENCLOSED G4.5L 50&60Hz				
ISSUE DATE:				
SIZE	CAGE NO	DWG NO	REV	
B	N/A	A0000335178	C	
SCALE	0.035	WT-KG	N/A	SHEET 1 of 1