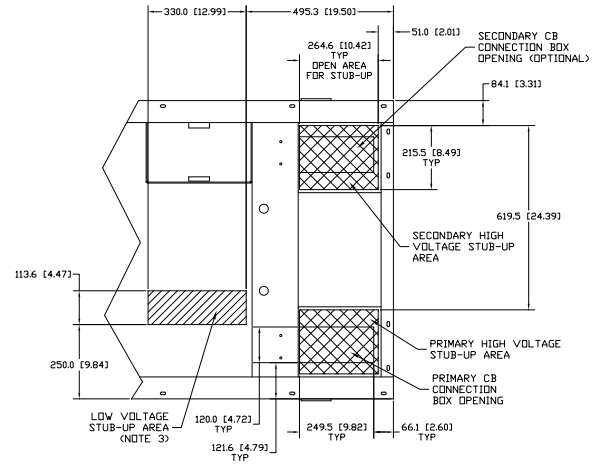
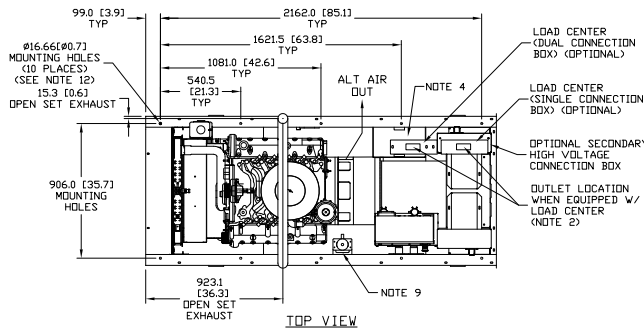


0J4198



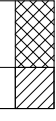
STUB-UP AREA DETAILED VIEW

NOTE:

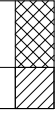
- CONTROL PANEL (OPTIONAL BATTERY CHARGER INSIDE)
- 120V, 20A GFCI & 250V, 15A OUTLET (OPTIONAL)
- CONNECTION POINTS FOR CONTROL WIRES PROVIDED IN THE LOW VOLTAGE CONNECTION BOX (USE LOW VOLTAGE STUB UP AREA)
- BATTERY (2 VOLT NEGATIVE GROUND SYSTEM)
- MAIN LINE CIRCUIT BREAKER (MLCB), AC LOAD LEADS CONNECT DIRECTLY TO MLCB (MLCB HEIGHT MAY VARY WITH CB SELECTION)
- CENTER OF GRAVITY AND WEIGHT MAY SHIFT SLIGHTLY DUE TO UNIT OPTIONS
- ENGINE SERVICE CONNECTIONS:
 INLET L/P GAS = 1-1/4" NPT COUPLING
 INLET L/P LIQUID = 1/4" NPT COUPLING
 INLET NATURAL GAS = 1-1/4" NPT COUPLING
 OIL DRAIN = 1/2" NPT COUPLING
 EXHAUST OUTLET = 2.5" I.D.
- AUXILIARY AC CONNECTION FOR UNIT OPTIONS ARE LOCATED IN HIGH VOLTAGE CONNECTION BOX, UNLESS AN OPTIONAL LOAD CENTER IS INSTALLED
- BLOCK HEATER
- GENERATOR SET MUST BE INSTALLED SUCH THAT FRESH COOLING AIR IS AVAILABLE AND THAT DISCHARGE AIR FROM THE RADIATOR IS NOT RECIRCULATED
- CIRCUIT BREAKER
 -AC LOAD LEADS CONNECT DIRECTLY TO BOTTOM OF BREAKER.
 -REFER TO LUG SIZING CHART AVAILABLE ON GEN-CONNECT.
- MOUNTING BOLTS OR STUDS TO MOUNT UNIT TO CONCRETE PAD SHALL BE 5/8-11 GRADE 5. (USE STANDARD SAE TORQUE SPECS.)

RECOMMENDED ELECTRICAL STUB-UPS
(SEE DETAILED VIEW & TOP VIEW)

(HIGH VOLTAGE STUB UP)
AC LOAD LEAD CONDUIT FOR PERMANENT MAGNET EXCITATION CONNECTION BOX

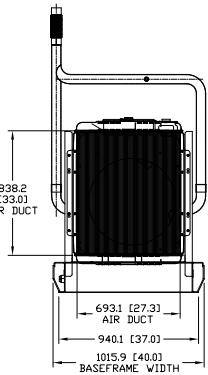


(LOW VOLTAGE STUB UP)

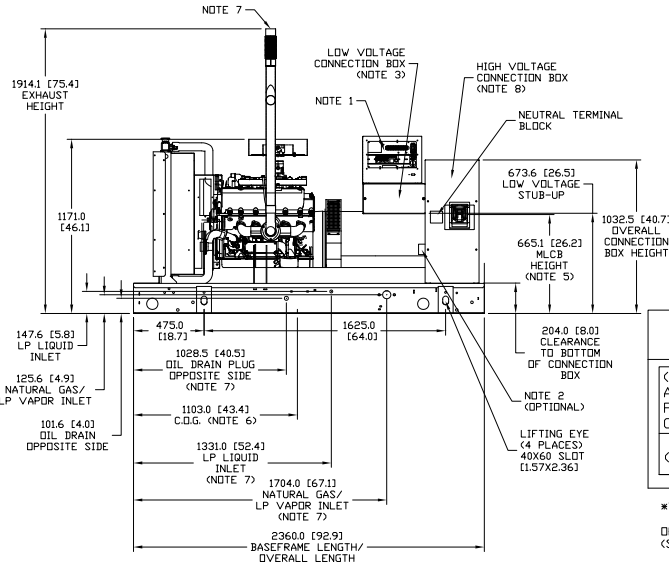


WEIGHT DATA

OPEN SET: 875KG [1929LBS]
(SEE NOTE 6)



FRONT VIEW



SIDE VIEW

GENERAC POWER SYSTEMS OWNS THE COPYRIGHT OF THIS DRAWING WHICH IS SUPPLIED IN CONFIDENCE AND MUST NOT BE USED FOR ANY PURPOSE OTHER THAN FOR WHICH IT IS SUPPLIED WITHOUT THE EXPRESS WRITTEN CONSENT OF GENERAC POWER SYSTEMS.

© GENERAC POWER SYSTEMS 2001

SG50, SG60, & SG70
6.8 LITER DIRECT DRIVE

NATURALLY ASPIRATED
OPEN GENSET - NON-CATALYZED

ISSUE DATE 2/9/11

GENERAC POWER SYSTEMS
Waukesha
P.O. BOX 8
WAUKESHA, WIS. 53187

FILE NAME	0J4198.DWG	SIZE	B
SCALE	NTS	FIRST USE	6.8L G3
DWG NO.	0J4198	REV	F

INSTALLATION DRAWING