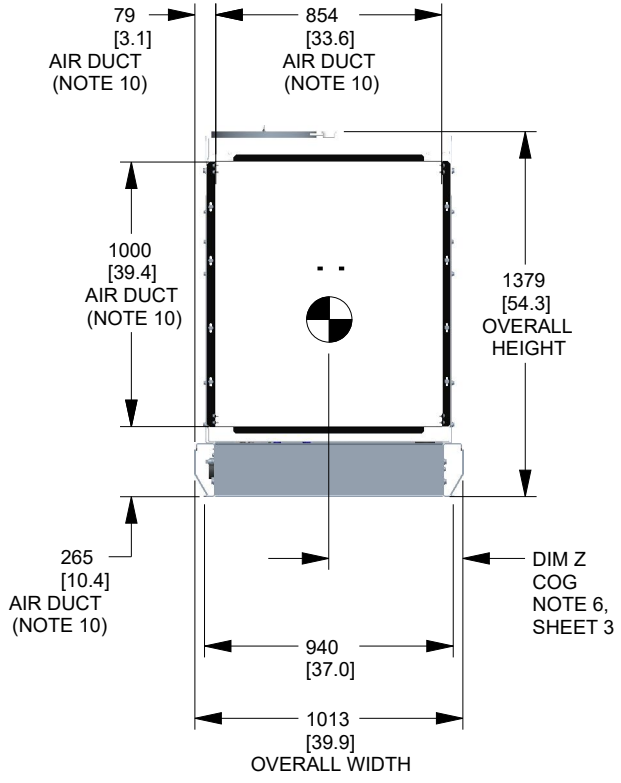
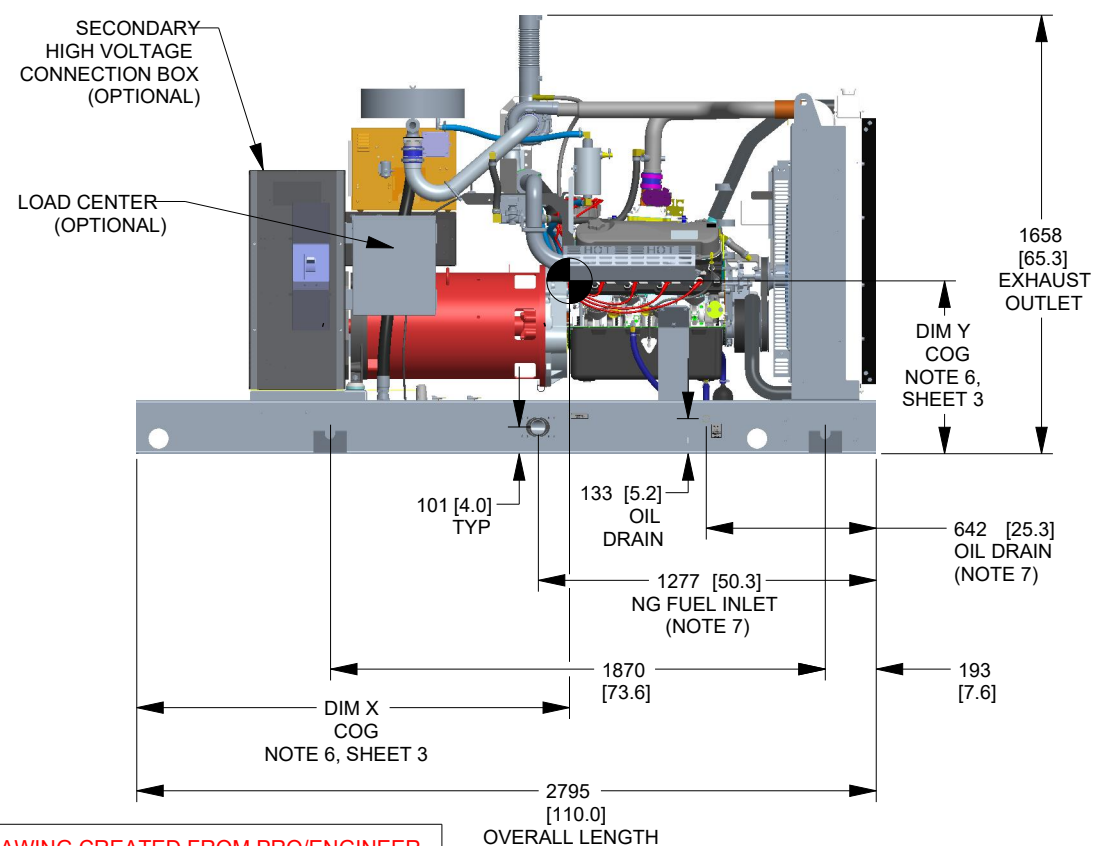
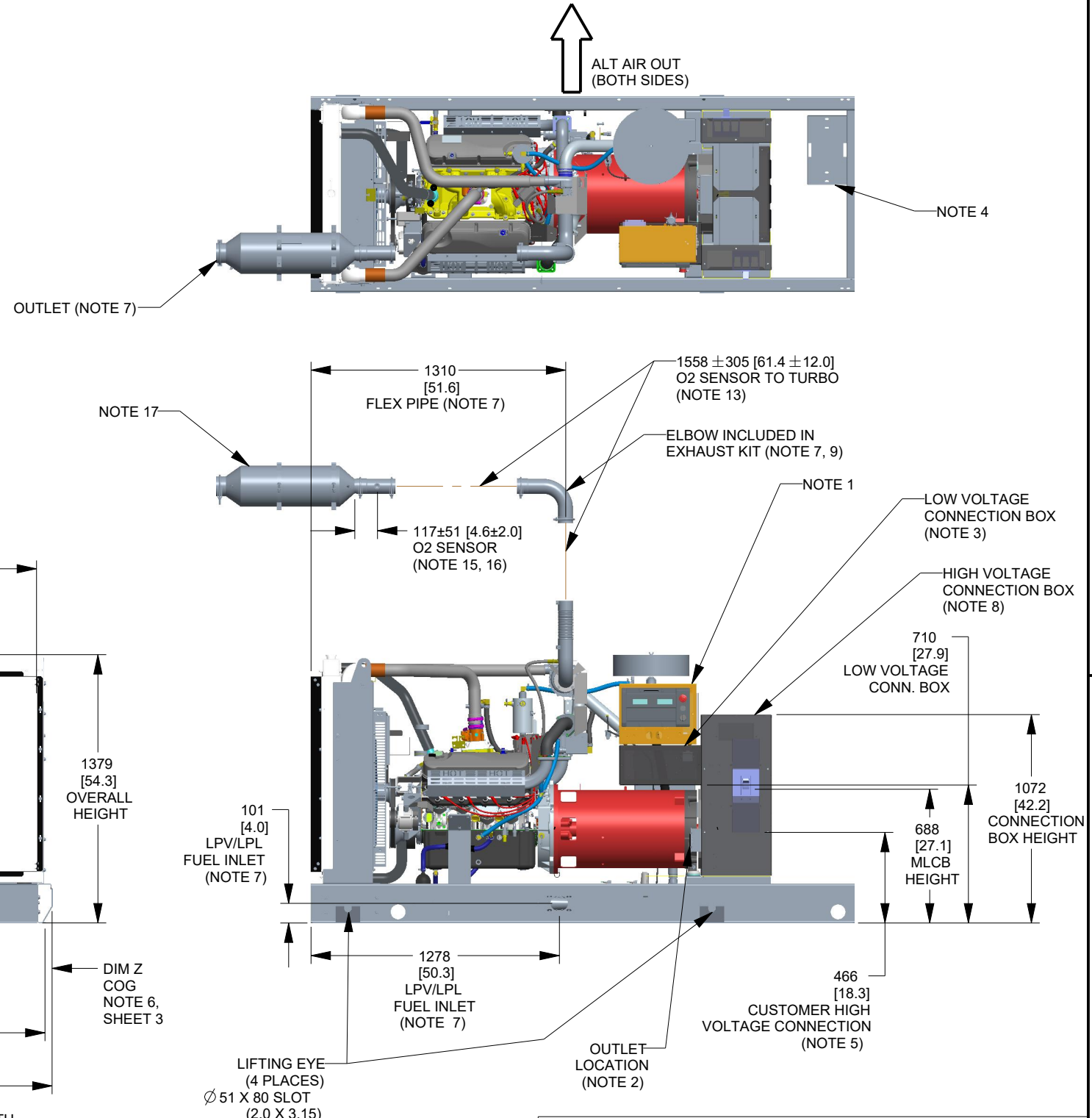


- Notes:
- CONTROL PANEL, (OPTIONAL BATTERY CHARGER INSIDE).
  - 120V, 20A GFCI & 250V, 15A OUTLET (OPTIONAL).
  - CONNECTION POINTS FOR CONTROL WIRES PROVIDED IN THE LOW VOLTAGE CONNECTION BOX (USE LOW VOLTAGE STUB-UP AREA).
  - BATTERY (12 VOLT NEGATIVE GROUND SYSTEM).
  - MAIN LINE CIRCUIT BREAKER (MLCB), AC LOAD LEADS. (DIMENSIONS MAY VARY DUE TO UNIT CONFIGURATION)
  - CENTER OF GRAVITY AND WEIGHT MAY CHANGE DUE TO UNIT OPTIONS.
  - ENGINE SERVICE CONNECTIONS:  
 INLET NATURAL GAS = 2" NPT FEMALE COUPLING  
 INLET DIESEL = N/A  
 RETURN DIESEL = N/A  
 OIL DRAIN = 1/2" NPT  
 RADIATOR DRAIN = N/A  
 FLEX PIPE OUTLET = 3"  
 EXHAUST OUTLET = 4"  
 INLET LPL = 1/4" NPT FEMALE COUPLING  
 \*\*\*\*\* SEE GENERATOR SIZING GUIDE FOR FUEL PIPE SIZING TO SUIT APPLICATION \*\*\*\*\*

- AUXILIARY AC CONNECTION FOR UNIT OPTIONS ARE LOCATED IN HIGH VOLTAGE CONNECTION BOX, UNLESS AN OPTIONAL LOAD CENTER IS INSTALLED.
  - EXHAUST PIPES MAY BE ROTATED TO ALLOW MUFFLER TO POINT OUT TO THE RIGHT OR LEFT SIDE OF GENERATOR. (MAY NOT APPLY TO ALL UNITS)
  - GENERATOR SET MUST BE INSTALLED SUCH THAT FRESH COOLING AIR IS AVAILABLE AND DISCHARGE AIR FROM THE RADIATOR IS NOT RECIRCULATED.
  - BOTTOM OF GENERATOR SET MUST BE ENCLOSED TO PREVENT PEST INTRUSION AND RECIRCULATION OF DISCHARGE AIR AND/OR IMPROPER COOLING AIR FLOW.
  - EXHAUST SYSTEM MAXIMUM BACK PRESSURE = 10" H2O, POST SILENCER.
  - INSTALL EXHAUST BLANKETS ALONG THIS LINE.
  - CONNECT THE OPEN SET EXHAUST PER NFPA 37
  - BLANKETS SHOULD NOT COVER OXYGEN SENSOR.
  - OXYGEN SENSOR (IF EQUIPPED) MUST BE MOUNTED BETWEEN ENGINE OUTLET AND CATALYST INLET AS SHOWN. IF ELBOW IS REQUIRED ONLY SINGLE ELBOW MAY BE USED.
  - CATALYST MUST BE MOUNTED IN DESCRIBED POSITION. FAILING TO FOLLOW THESE INSTRUCTIONS WHEN INSTALLING A CERTIFIED ENGINE IN A PIECE OF STATIONARY EQUIPMENT VIOLATES FEDERAL LAW 40CFR 1068.105(b), SUBJECT TO FINES OR PENALTIES AS DESCRIBED IN THE CLEAN AIR ACT.
  - BOLTS OR STUDS USED TO MOUNT UNIT TO PAD SHALL BE 5/8 - 11 GRADE 5.
- ADDITIONAL NOTES: FOR WEIGHT AND CENTER OF GRAVITY DATA SEE NOTE 6, AND SHEET 3.



DRAWING CREATED FROM PRO/ENGINEER 3D FILE. ECO MODIFICATION TO BE APPLIED TO SOLID MODEL ONLY.



DIMENSIONS ARE IN MILLIMETERS [INCHES]

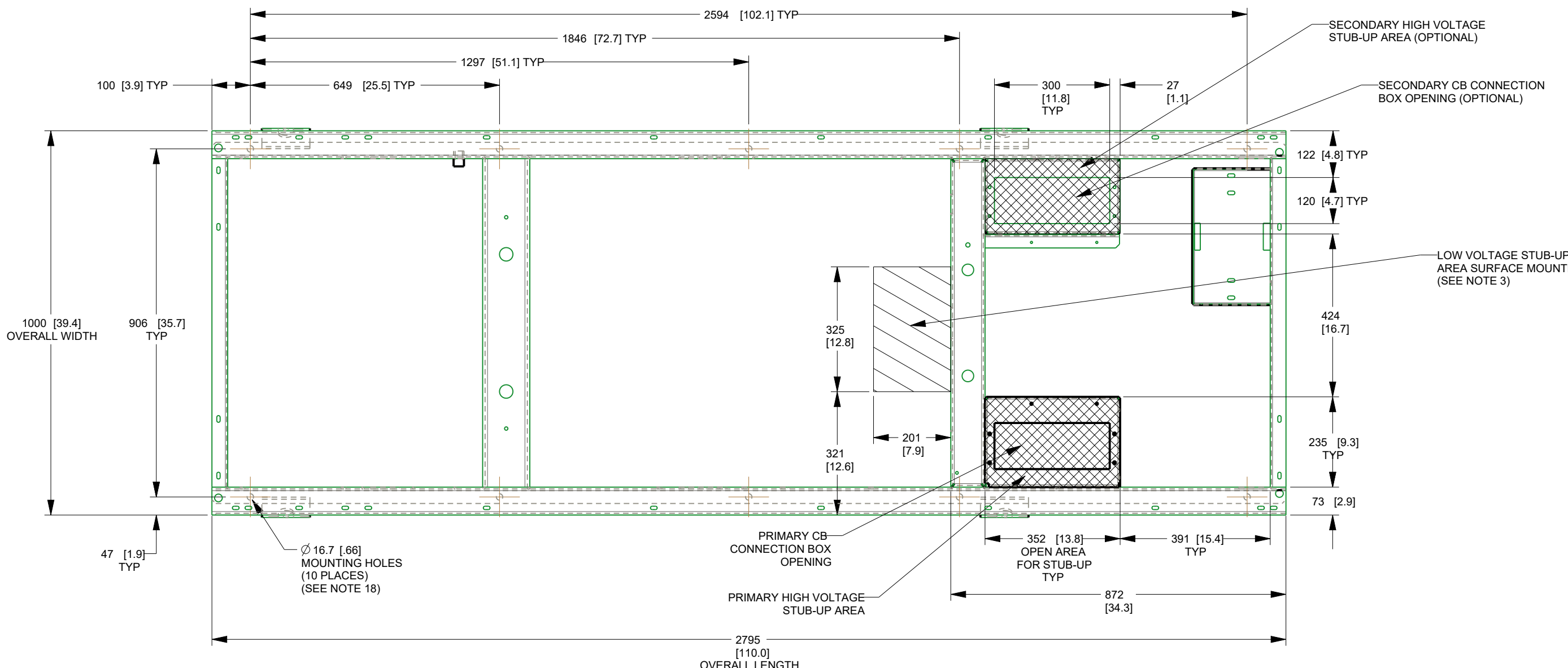
# INSTALLATION DRAWING

GENERAC POWER SYSTEMS OWNS THE COPYRIGHT OF THIS DRAWING WHICH IS SUPPLIED IN CONFIDENCE AND MUST NOT BE USED FOR ANY PURPOSE OTHER THAN FOR WHICH IT IS SUPPLIED WITHOUT THE EXPRESS WRITTEN CONSENT OF GENERAC POWER SYSTEMS. ©GENERAC POWER SYSTEMS 2013

ELECTRONICALLY APPROVED  
INSIDE WINDCHILL

<b>GENERAC</b>				
TITLE <b>OPEN SET G9.0L 60Hz: SG130 50Hz: SG104 (3 PH) STANDARD ALT</b>				
ISSUE DATE:				
SIZE <b>B</b>	CAGE NO N/A	DWG NO <b>10000018595</b>	REV <b>B</b>	
SCALE 0.035	WT-KG	SHEET 1 of 3		

RECOMMENDED ELECTRICAL STUB-UP	
HIGH VOLTAGE STUB-UP AC LOAD LEAD CONDUIT FOR CONNECTION BOX	
LOW VOLTAGE (STUB-UP)	



DRAWING CREATED FROM PRO/ENGINEER 3D FILE. ECO MODIFICATION TO BE APPLIED TO SOLID MODEL ONLY.

DIMENSIONS ARE IN MILLIMETERS [INCHES]

# INSTALLATION DRAWING

GENERAC POWER SYSTEMS OWNS THE COPYRIGHT OF THIS DRAWING WHICH IS SUPPLIED IN CONFIDENCE AND MUST NOT BE USED FOR ANY PURPOSE OTHER THAN FOR WHICH IT IS SUPPLIED WITHOUT THE EXPRESS WRITTEN CONSENT OF GENERAC POWER SYSTEMS. ©GENERAC POWER SYSTEMS 2013

ELECTRONICALLY APPROVED  
INSIDE WINDCHILL



TITLE			
STUB-UP VIEW G9.0L 60HZ: SG130 50HZ: SG104 (3 PH) STANDARD ALT			
ISSUE DATE:			
SIZE	CAGE NO	DWG NO	REV
B		10000018595	B
SCALE	0.090	WT-KG	SHEET 2 of 3

OPEN SET

MODEL	VOLTAGE	WEIGHT	CENTER OF GRAVITY DIM X	CENTER OF GRAVITY DIM Y	CENTER OF GRAVITY DIM Z
SG130, SG104	220V/240V 1Ø	1192 KG [2628 LBS]	1645 [64.8]	536 [21.1]	466 [18.3]
SG/MG130, SG/MG104	208V, 240V, 400V, 480V, & 600V 3Ø	1213 KG [2674 LBS]	1634 [64.3]	535 [21.0]	

NOTE:  
CENTER OF GRAVITY AND WEIGHT MAY CHANGE DUE TO UNIT OPTIONS

STD ENCLOSURE, STEEL

MODEL	VOLTAGE	WEIGHT	CENTER OF GRAVITY DIM X	CENTER OF GRAVITY DIM Y	CENTER OF GRAVITY DIM Z
SG130, SG104	220V/240V 1Ø	1537 KG [3388 LBS]	1698 [66.9]	627 [24.7]	495 [19.5]
SG/MG130, SG/MG104	208V, 240V, 400V, 480V, & 600V 3Ø	1558 KG [3435 LBS]	1689 [66.5]	625 [24.6]	

STD ENCLOSURE, ALUMINUM

WEIGHT	CENTER OF GRAVITY DIM X	CENTER OF GRAVITY DIM Y	CENTER OF GRAVITY DIM Z
1365 KG [3009 LBS]	1690 [66.5]	586 [23.1]	495 [19.5]
1386 KG [3056 LBS]	1680 [66.1]	584 [23.0]	

L1A ENCLOSURE, STEEL

MODEL	VOLTAGE	WEIGHT	CENTER OF GRAVITY DIM X	CENTER OF GRAVITY DIM Y	CENTER OF GRAVITY DIM Z
SG130, SG104	220V/240V 1Ø	1644 KG [3624 LBS]	1621 [63.8]	648 [25.5]	495 [19.5]
SG/MG130, SG/MG104	208V, 240V, 400V, 480V, & 600V 3Ø	1665 KG [3671 LBS]	1614 [63.5]	646 [25.4]	

L1A ENCLOSURE, ALUMINUM

WEIGHT	CENTER OF GRAVITY DIM X	CENTER OF GRAVITY DIM Y	CENTER OF GRAVITY DIM Z
1411 KG [3111 LBS]	1652 [65.0]	598 [23.5]	495 [19.5]
1432 KG [3157 LBS]	1642 [64.6]	596 [23.4]	

L2A ENCLOSURE, STEEL

MODEL	VOLTAGE	WEIGHT	CENTER OF GRAVITY DIM X	CENTER OF GRAVITY DIM Y	CENTER OF GRAVITY DIM Z
SG130, SG104	220V/240V 1Ø	1698 KG [3742 LBS]	1729 [68.1]	736 [29.0]	495 [19.5]
SG/MG130, SG/MG104	208V, 240V, 400V, 480V, & 600V 3Ø	1719 KG [3790 LBS]	1721 [67.8]	733 [28.9]	

L2A ENCLOSURE, ALUMINUM

WEIGHT	CENTER OF GRAVITY DIM X	CENTER OF GRAVITY DIM Y	CENTER OF GRAVITY DIM Z
1434 KG [3161 LBS]	1707 [67.2]	644 [25.4]	495 [19.5]
1455 KG [3208 LBS]	1697 [66.8]	641 [25.2]	

DRAWING CREATED FROM PRO/ENGINEER 3D FILE. ECO MODIFICATION TO BE APPLIED TO SOLID MODEL ONLY.

DIMENSIONS ARE IN MILLIMETERS [INCHES]



TITLE			
WEIGHT & CENTER OF GRAVITY G9.0L 60HZ: SG130 50HZ: SG104 (3 PH) STANDARD ALT			
ISSUE DATE:			
SIZE B	CAGE NO	DWG NO 10000018595	REV B
SCALE 0.035	WT-KG	SHEET 3 of 3	

GENERAC POWER SYSTEMS OWNS THE COPYRIGHT OF THIS DRAWING WHICH IS SUPPLIED IN CONFIDENCE AND MUST NOT BE USED FOR ANY PURPOSE OTHER THAN FOR WHICH IT IS SUPPLIED WITHOUT THE EXPRESS WRITTEN CONSENT OF GENERAC POWER SYSTEMS. ©GENERAC POWER SYSTEMS 2013

ELECTRONICALLY APPROVED  
INSIDE WINDCHILL

# INSTALLATION DRAWING